



ARGO

CONQUEST PARTS MANUAL

**Model Nos. V899-37 &
V899-38**

From Serial # CB19686

Foreword

ODG has prepared this parts manual for the CONQUEST model to assist both qualified mechanics and vehicle owners in ordering correct, quality replacement ARGO parts.

Proper and regular service, and replacing old, worn or broken parts with the correct ARGO replacement parts, are both essential to prolonging the life of the ARGO. Please refer to this parts manual before ordering any replacement part.

All information contained in this CONQUEST Parts Manual is based on the latest product specification available at time of printing. If your CONQUEST differs from the specifications contained in this manual, contact Ontario Drive & Gear Limited for information.

ODG reserves the right to alter specifications on the CONQUEST model at any time, without obligation or prior notification.

Reproduction of this CONQUEST Parts Manual, in whole or in part, is prohibited without prior written permission from Ontario Drive & Gear Limited.

Model Identification

CONQUEST - Model Nos. V899-37 and V899-38

Explanation of Parts Manual Format

- Ref** - Reference number between assembly diagram and component parts list
- Part No.** - Argo replacement part number for identification and re-ordering
- Description** - Part description for identification and re-ordering
- Qty** - Indicates the quantity of a part used in an Assembly

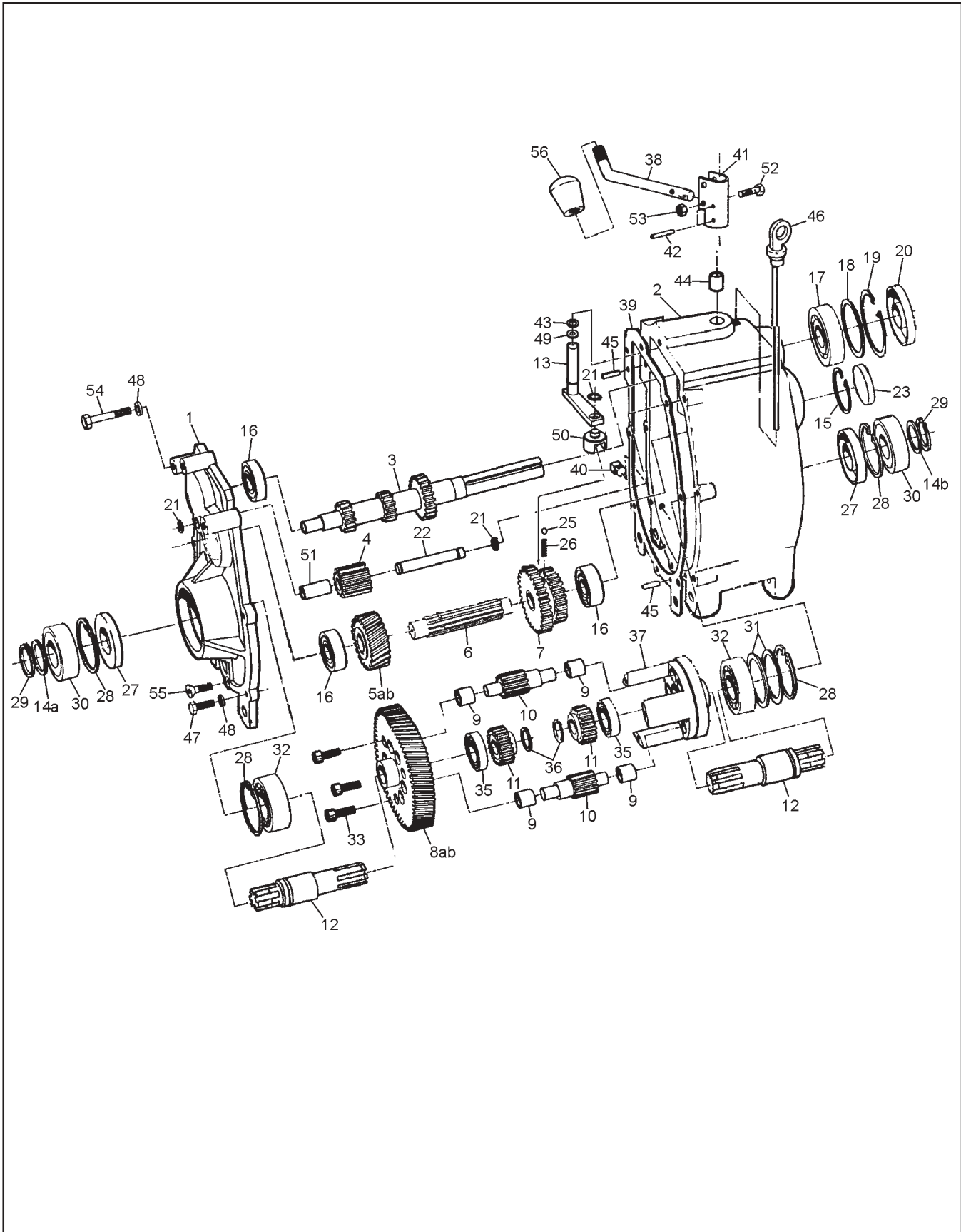


Using the Parts Manual

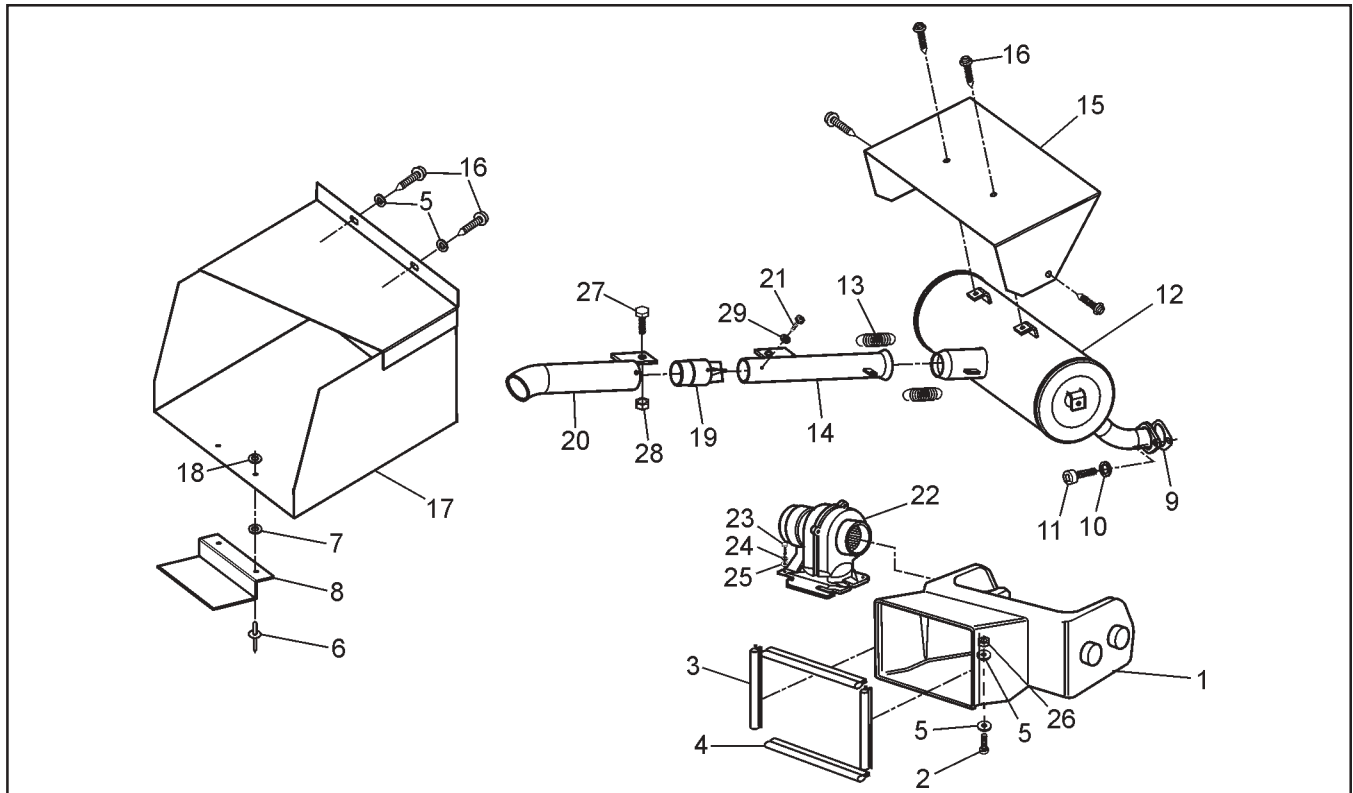
1. Find the major vehicle assembly in the Table of Contents on this page, and turn to that section.
2. Locate the part in the illustration that you wish to order.
3. Refer to the parts list in that section.
4. Find the correct part number (Part No.), part description (Description) and correct quantity (Qty).
5. Use *only* this information to order ARGO replacement parts. *DO NOT* attempt to order a replacement part by reference number or page number.

Table of Contents

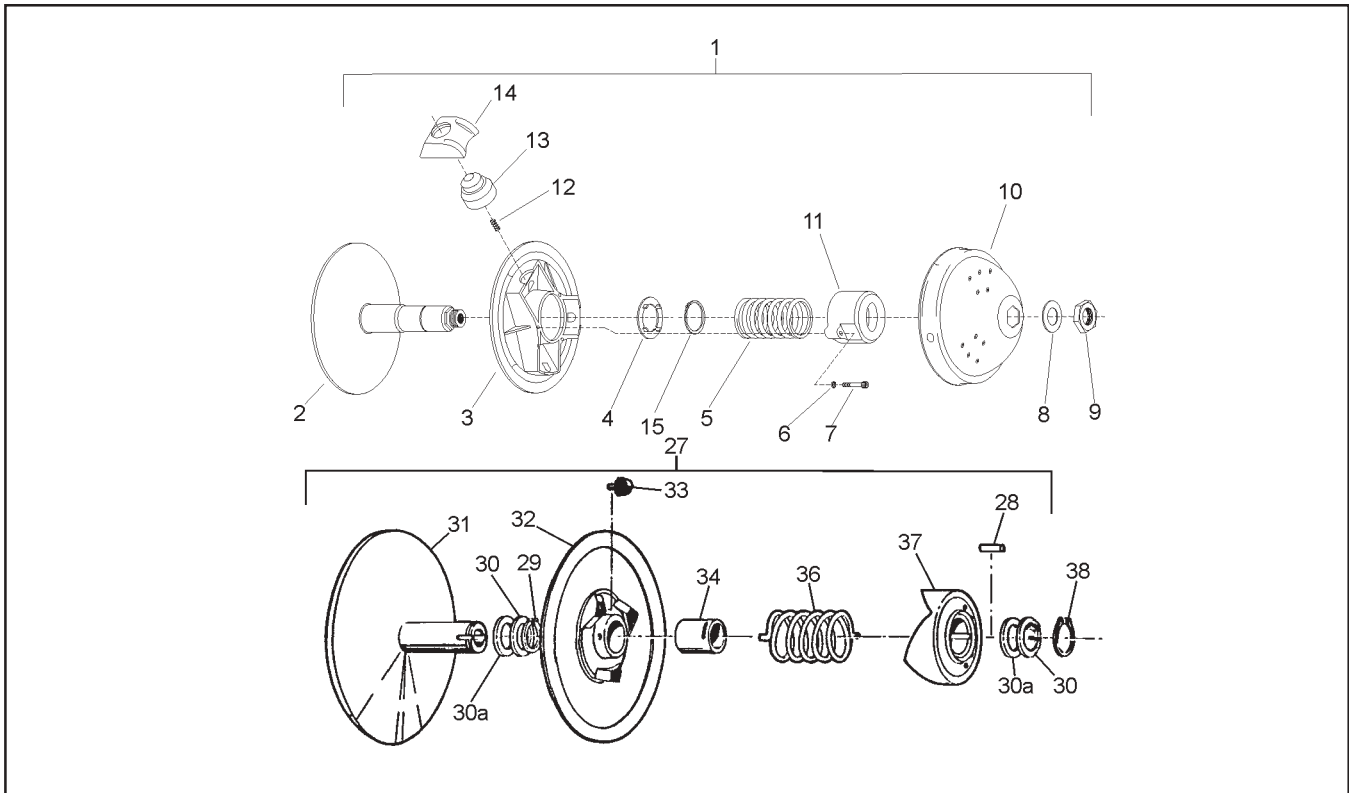
Foreword	i
Model Identification	i
Using the Parts Manual	ii
1.0 Transmission	1
2.0 Intake and Exhaust System	3
3.0 Clutch System	4
4.0 Power Pack Assembly	5
5.0 Brake System - Hydraulic	7
6.0 Vehicle Body & Firewall	9
7.0 Frame & Drive System	11
8.0 Fuel System & Seat Assembly	13
9.0 Electrical System	15



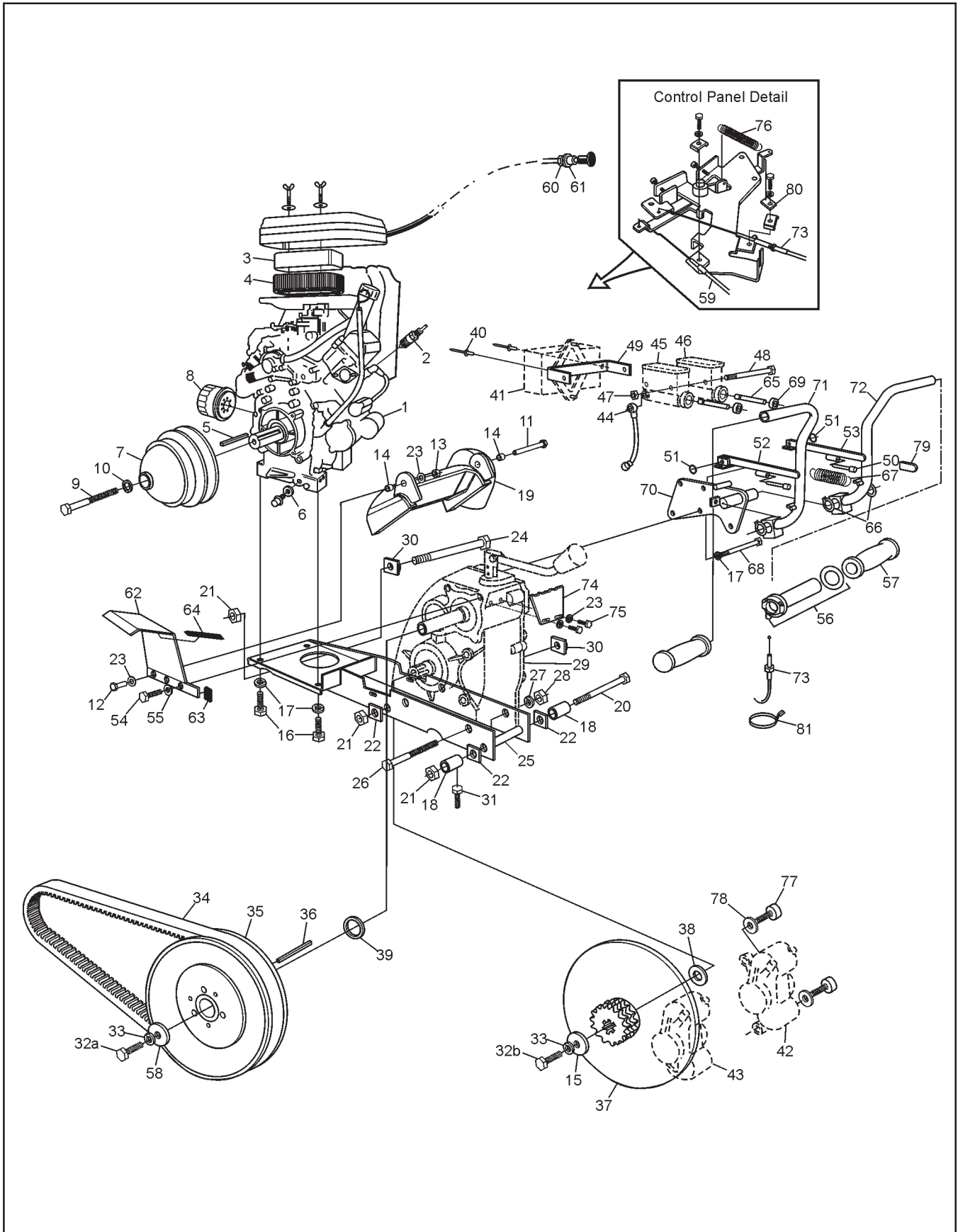
Ref.	Qty.	Part #	Description
		610-18M	Transmission Asm - M, does not include Refs 38,52,53 & 56, uses Refs 5a & 8a
		610-18G	Transmission Asm - G, does not include Refs 38,52,53 & 56, uses Refs 5b & 8b
1	1	34-68	Cover, Transmission
2	1	34-99	Housing, Transmission
3	1	34-21	Shaft, Input - 13/21T
4	1	34-16A	Gear, Idler - 13T (incl. Ref 51)
5a	1	34-95	Gear, Helical - 24T - M
5b	1	34-97	Gear, Helical - 21T - G
6	1	34-94	Shaft, Spline
7	1	34-91	Gear, Double - 26/33T
8a	1	34-22	Gear Plate - 73T - M
8b	1	34-45	Gear Plate - 76T - G
9	12	105-03	Bushing, Oilite - ½ x 3/4
10	6	34-13	Gear, Planet - 12T
11	2	34-14	Gear, Sun - 21T
12	2	34-98	Shaft, Output
13	1	34-65	Shifter Asm.
14a	1	114-04	Washer, Shim .040 Thk
14b	1	114-05	Washer, Shim .020 Thk
15	1	106-01	Retaining Ring
16	3	101-01	Bearing, Ball 6204Z-C3
17	1	101-16	Bearing, Ball 6206-C3
18	as req.	114-02	Washer, Shim 2.06x2.42x.02
19	1	106-05	Retaining Ring
20	1	102-05	Seal, Oil WBS 30x62x10
21	3	107-05	Retaining Ring
22	1	34-11	Pin, Dowel ½ x 3.50
23	1	31-07	Plug Plate
25	1	109-05	Ball, Steel 6mm 62-67 Rc
26	1	34-32	Spring, Compression - 7/32x.50
27	2	102-03	Seal, Oil WBS 30x72x10
28	4	106-03	Retaining Ring
29	2	107-02	Retaining Ring
30	2	101-05	Bearing, Ball 6306-2NSE C3
31	2	114-01	Washer, Shim 2.25x2.81x.02
32	2	101-03	Bearing, Ball 6207-C3
33	3	103-04	SHCS 5/16-18x1.0 Bare
35	2	101-15	Bearing, Ball 6005-C3
36	2	107-04	Retaining Ring
37	1	34-08	Cage
38	1	610-77	Lever, Shift
39	1	34-47	Gasket, Cover - 1/64" Thk
40	1	103-02	Plug, Magnetic 3/8-18 NPT
41	1	34-86	Holder, Shift Lever
42	2	111-01	Pin, Spring 5/32x1.0
43	1	113-01	O-Ring
44	1	105-02	Bushing, Oilite - ½ x 1.0
45	2	104-03	Pin, Dowel 1/4 x 7/8
46	1	34-77	Dipstick, with breather
47	4	103-06	HHCS 5/16-18x1.0 GR5 Zc
48	7	108-05	Lockwasher 5/16
49	1	108-74	Washer .64 x .875 x .10 Zinc
50	1	34-63	Shift Yoke
51	1	105-05	Bushing, Oilite - ½ x 1.5 (in Ref. 4)
52	1	103-97	HHCS 1/4-20x1.25 GR5 Zc
53	1	117-27	Locknut, Nylon 1/4-20 Zc
54			See Section 4.0 Power Pack Assembly
55	1	103-95	FHSC 5/16-18x1.0 GR8 Zc
56	1	126-38	Knob, Shift



Ref.	Qty.	Part #	Description
1	1	807-76	Duct, Intake
2	2	103-63	PHMS, PHIL 1/4-20x1.0 Zn
3	2	807-78	Seal, Radiator - 9.75" LG
4	2	807-77	Seal, Radiator - 11.5" LG
5	6	108-01	Washer, Fender 1/4 BS x1.25 OD
6	2	120-13	Rivet 3/16 x 5/8 - Black
7	2	125-58	Washer, Fibre - W-77F
8	1	707-28	Support, Exhaust Duct
9	2	11060-2079	Gasket
10	4	108-02	Lockwasher 5/16 Hi-Collar Bare
11	4	112-30	SHCS M8x1,25x20mm Zn
12	1	807-95	Muffler, Kawasaki V-Twin
13	2	126-57	Spring, Extension- 7/16x2.14
14	1	807-97	Pipe, Muffler Tail - Kawasaki
15	1	807-94	Shield, Heat - Kawi Muffler
16	6	112-19	Screw, IHWH T/C Slot 1/4-20x1/2
17	1	807-96	Duct, Exhaust - Kawasaki
18	2	120-04	Washer .19x.50x.08 Zn
19	1	807-67	Spark Arrester
20	1	807-89	Tube, Tailpipe Outlet
21	1	112-43	Screw IHWH #8x3/8
22			See Section 5.0 Brake System
23	4	103-47	HHCS, #10-24X1/2
24	4	120-05	Washer, .19x.50x.04
25	4	108-59	Lockwasher #10 Int. Tooth
26	2	117-27	Locknut, Nylon 1/4-20 Zn
27	1	112-04	HHCS 1/4-20 x3/4 Gr2 Zn
28	1	117-81	Locknut, 2-way 1/4-20 Zn
29	1	108-77	Lockwasher, #8 External Tooth



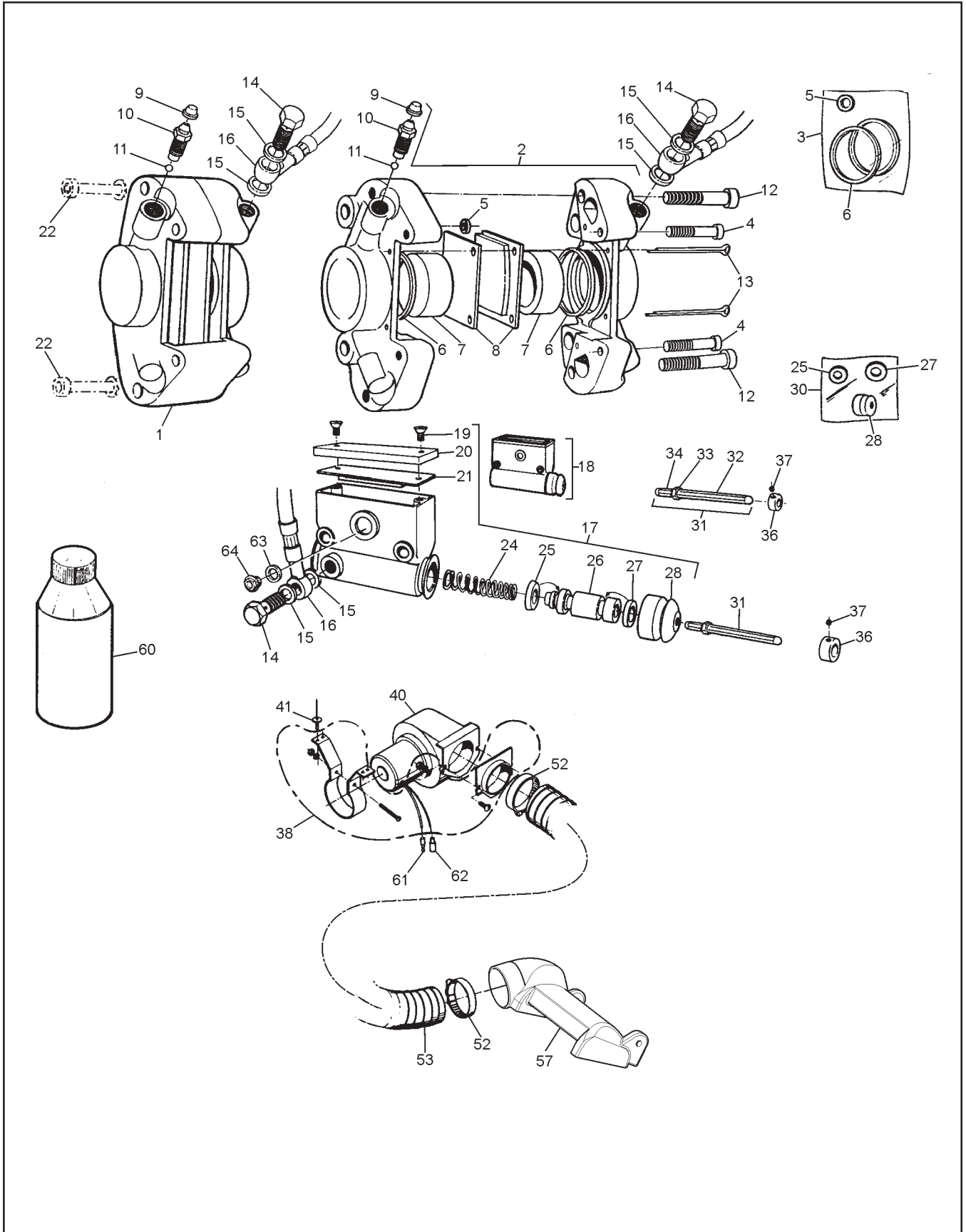
Ref.	Qty.	Part #	Description
1	1	127-71	Clutch, Driver - Keyed (incl. Refs 2 to 14)
2	1	0405-0044	Pulley, Half - Fixed
3	1	0410-0006	Pulley, Half - Sliding
4	1	V09	Plate, Spring Guide
5	1	V10-48-103-18	Spring
6	3	420-2453-700	Lockwasher
7	3	222-9640-66	SHCS
8	1	0080-0153	Washer, Zn
9	1	0080-0100	Nut
10	1	0115-0003(A)	Cap
11	1	0440-0001	Cover, Spring
12	3	C24-L1	Spring, Anti-noise
13	3	0135-2045	Weight, 260g
14	3	0130-3002	Block, Red
15	1	V08C	Retaining Ring
27	1	127-129	Clutch, Driven - Model "B" (incl. Refs 28 to 37)
28	1	ASK-5	Key 1/4x1/4x5/8
29	1	ASR-6	Retaining Ring
30	as req	ASA-1-S	Spacer .025" Thick
30a	as req	ASA-1	Spacer .050" Thick
31	1	AFK25.4-250OD01	Pulley, Half - Fixed
32	1	5110-0021	Pulley, Half - Sliding incl. Refs. 33, 34
33	3	ANS-2-T	Shoe, Cam
34	1	5040-3003	Bushing, Super Oilite
36	1	ACS-3-188	Spring, Blue
37	1	AFC-4-C3D4	Cam
38	1	371-9031-0	Retaining Ring



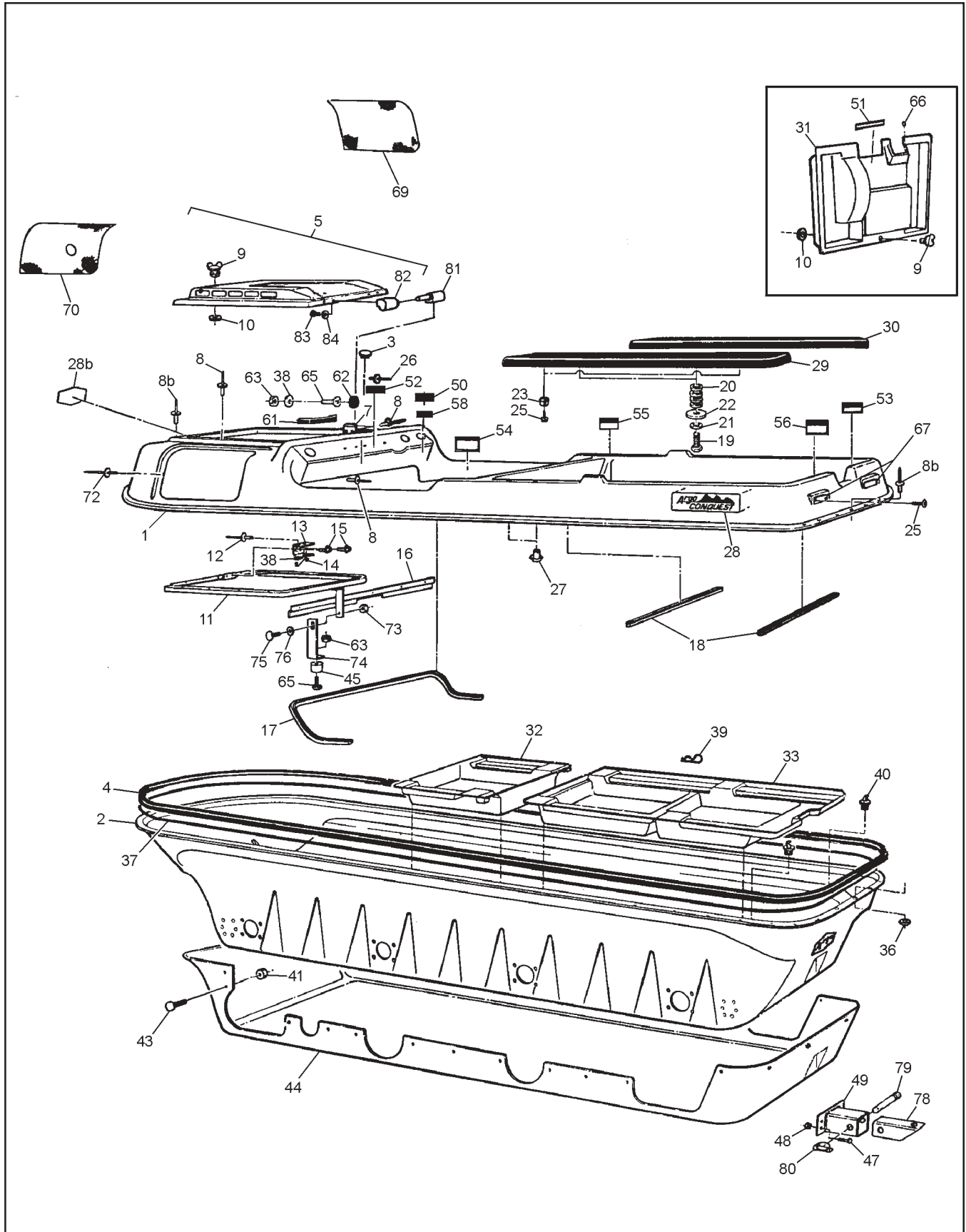
Conquest Parts Manual

4.0 Power Pack Assembly

Ref.	Qty.	Part #	Description	Ref.	Qty.	Part #	Description
1	1	FD620D-JS12	Engine - Kawasaki, (incl. Refs. 2, 3, 4, 6, 8, 41)	36	1	110-09	Key 1/4x1/4x3.0
2a	2	92070-2072	Sparkplug, BMR4A (for prior to S/N CB17857)	37	2	610-80	Brake Disc #50-2x13T
2b	2	92070-2112	Sparkplug, BPR4ES (from S/N CB17857)	38	as req	108-75	Washer, Shim 1"idx.5x.010
3	1	11013-2114	Element, Air Filter - Foam	39	as req	108-36	Washer 1.03x1.37x.06 Zn
4	1	11013-2139	Element, Air Filter - Paper	40	2	120-13	Rivet 3/16x5/8 - Black
5	1	110-13	Key 1/4x1/4x2.25	41	1	21119-2157	Igniter
6	1	11009-2566	Gasket, Drain Plug	42 to 46			See Section 5.0 Brake System
7			See Section 3.0 Clutch System	47	2	117-27	Locknut, Nylon 1/4-20 Zn
8	1	127-68	Filter, Oil	48	2	103-66	HHCS 1/4-20x4.0 Gr5 Zn
9	1	112-15	SHCS M10x1,5x90mm	49	1	610-75	Bracket, Igniter
10	1	108-54	Lockwasher, Hi-Collar - M10	50	2	103-69	SHCS 1/4-20x1.5 Zn
11	1	112-132	HHCS 5/16-18x3.25 Gr5 Zn	51	2	113-02	O-Ring
12	1	103-38	HHCS 5/16-18x1.25 Gr5 Zn	52	1	810-20	Lever Asm, Brake - LH
13	1	117-21	Locknut, Nylon 5/16-18 Zn	53	1	810-21	Lever Asm, Brake - RH
14	2	108-71	Spacer-5/16 IDx7/16 OD x 13/32 Lg	54	2	103-17	HHCS 3/8-16x1.0 Gr5 Zn
15	2	108-18	Washer .40x1.37x.12 Zn	55	2	108-26	Washer 3/8 Zn
16	4	112-30	SHCS M8x1,25x20mm Zn	56	1	127-81	Throttle Twist Grip
17	7	108-05	Lockwasher 5/16 Zn	57	2	127-35	Grip, Molded
18	2	811-14	Spacer	58	1	108-46	Washer .40x1.37x.12 Hi-Carbon
19			See Section 5.0 Brake System	59	1	812-29	Cable Asm, Choke - Conq.
20	1	112-57	HHCS 5/8-11x10.0 Gr5 Zn	60	1	117-68	Nut, Jam 3/8-24 UNF Zn
21	3	117-09	Locknut, Nylon 5/8-11 Zn	61	1	108-32	Lockwasher 3/8 Int. Tooth
22	3	811-09	Washer, Square - .64 ID	62	1	603-29	Guard, Belt Protect
23	4	108-24	Washer 5/16 SAE Zn	63	1	601-92	Vinyl Trim - 1.5"
24	2	112-58	HHCS 5/8-11x7.5 Gr5 Zn	64	1	601-93	Vinyl Trim - 4.25"
25	1	811-30	Frame, Powerpack - Conq.	65			See Section 5.0 Brake System
26	2	103-20	HHCS 1/2-13x6.5 Gr5 Zn	66	4	106-07	Retaining Ring
27	2	108-07	Lockwasher 1/2	67	2	127-33	Spring, Extension
28	2	117-06	Nut, Fin Hex 1/2-13 Zn	68	2	103-55	HHCS 5/16-18x2.75 Gr5 Zn
29			See Section 1.0 Transmission	69			See Section 5.0 Brake System
30	2	811-15	Washer, Square Lock .64ID	70	1	812-01	Bracket Asm, Steering
31	2	103-53	HHCS 3/8-16x3.0 Gr5 Full Thread	71	1	812-27	Lever Asm, Steering - LH
32a	1	103-34	HHCS 3/8-16x1.25 Gr5 Zn	72	1	812-26	Lever Asm, Steering - RH
32b	2	103-18	HHCS 3/8-24x1.25 Gr5 Zn	73	1	612-101	Cable Asm, Throttle
33	3	108-06	Lockwasher 3/8 Split Ring Zn	74	1	610-81	Shift Gate, Transmission
34	1	125-56	Drive Belt	75	2	112-01	HHCS 5/16-8x3/4 Gr5 Zn
35			See Section 3.0 Clutch System	76	1	127-11	Spring, Extension
				77	4	103-41	SHCS 3/8-16x1.25 Zn
				78	4	108-23	Washer 3/8 SAE Gr5- Dich.
				79	2	126-89	Cap, Vinyl - Black
				80	1	601-86	Clip, Retainer
				81	1	100-64	Tie Wrap - 5.5" - Black



Ref.	Qty.	Part #	Description
1	1	166-01RM	Caliper, Brake - L w/o Pads (incl. Refs 5, 6, 7, 9 - 12)
2	1	166-02RM	Caliper, Brake - R w/o Pads (incl. Refs 5, 6, 7, 9 - 12)
3	2	161-01	O-Ring Kit, Caliper (incl. Refs 5 & 6)
4	2	160-40	SHCS M8x1,25x40 Zn
5	1		Seal, Rubber - 5mm (see Ref 3)
6	2		Seal, Piston - 41mm (see Ref 3)
7	2x2	168-05	Piston 41mm
8	1	170-03	Pad Set (4) - Brake, Non-Asbestos
9	1x2	168-20	Plug, Rubber
10	1x2	168-03	Screw, Bleeding M10x1,0
11	1x2	109-03	Ball, Steel - 7/32 Dia.
12	2x2	160-41	SHCS M10x1,5x50mm Zn
13	2x2	168-06	Pin, Cotter 3,2x50mm
14	4	160-44	Bolt, Banjo-M10x1,0x21,0 Zn
15	8	160-01	Washer, Copper-1,5x10,0x14,0
16	1x2	163-01	Hose Asm, Hydraulic-310mm
17	1	165-06	Master Cylinder - left (incl. Refs 19 to 21, 24 to 28, 63 & 64)
18	1	165-05	Master Cylinder - right (incl. Refs 19 to 21, 24 to 28, 63 & 64)
19	2x2	160-42	FHMS M5x0,8x6mm
20	1x2	168-08	Cover
21	1x2	168-09	Cover, Rubber
22			See Section 4.0 Power Pack Assembly
24	1x2	162-02	Spring, Comp. 0.59x1.5
25	1x2		Seal, Primary, 19mm (See Ref. 30)
26	1x2	168-10	Piston 19mm dia.
27	1x2		Seal, Secondary, 19mm (See Ref. 30)
28	1x2		Boot, Rubber (See Ref. 30)
30	1x2	161-25	O-Ring Kit - Master Cylinder (incl. Refs 25, 27 & 28)
31	2	812-13	Pin Asm, Plunger-Adjustable
32	1	812-14	Pin, Female
33	1	117-20	Nut, Fin Hex 1/4-20 Zn
34	1	812-15	Pin, Male
36	2	812-17	Collar
37	2	112-02	SHSS 10-24x1/4 Knurl Cup PT, PL
38		125-92	Adpt. & Mounting Kit - includes the following:
	1		Mounting Bracket
	1		Nut, #10-32
	1		Lockwasher, 3/16"
	1		Screw, #10-32x2"
	2		Nut, 1/4-20
	2		Lockwasher, 1/4"
	2		Screw, 1/4-20x5/8"
	1		Adaptor, 3" dia.
40	1	125-91	Blower Fan
41			See Section 2.0 Intake and Exhaust System
52	2	125-35	Clamp, Gear 3.50" HF-52
53	1	127-06	Hose, Intake - 3" dia. x 29"
57	1	128-01	Brake Cool Air Duct
60		126-19	Fluid, Brake - Silicon Dot 5 - .35L
61	1	118-02	Terminal, Male #76-1251
62	1	118-03	Terminal, Female #76-1289
63	1x2	160-03	O-ring, Oil Window
64	1x2	168-14	Oil Window, Master Cylinder

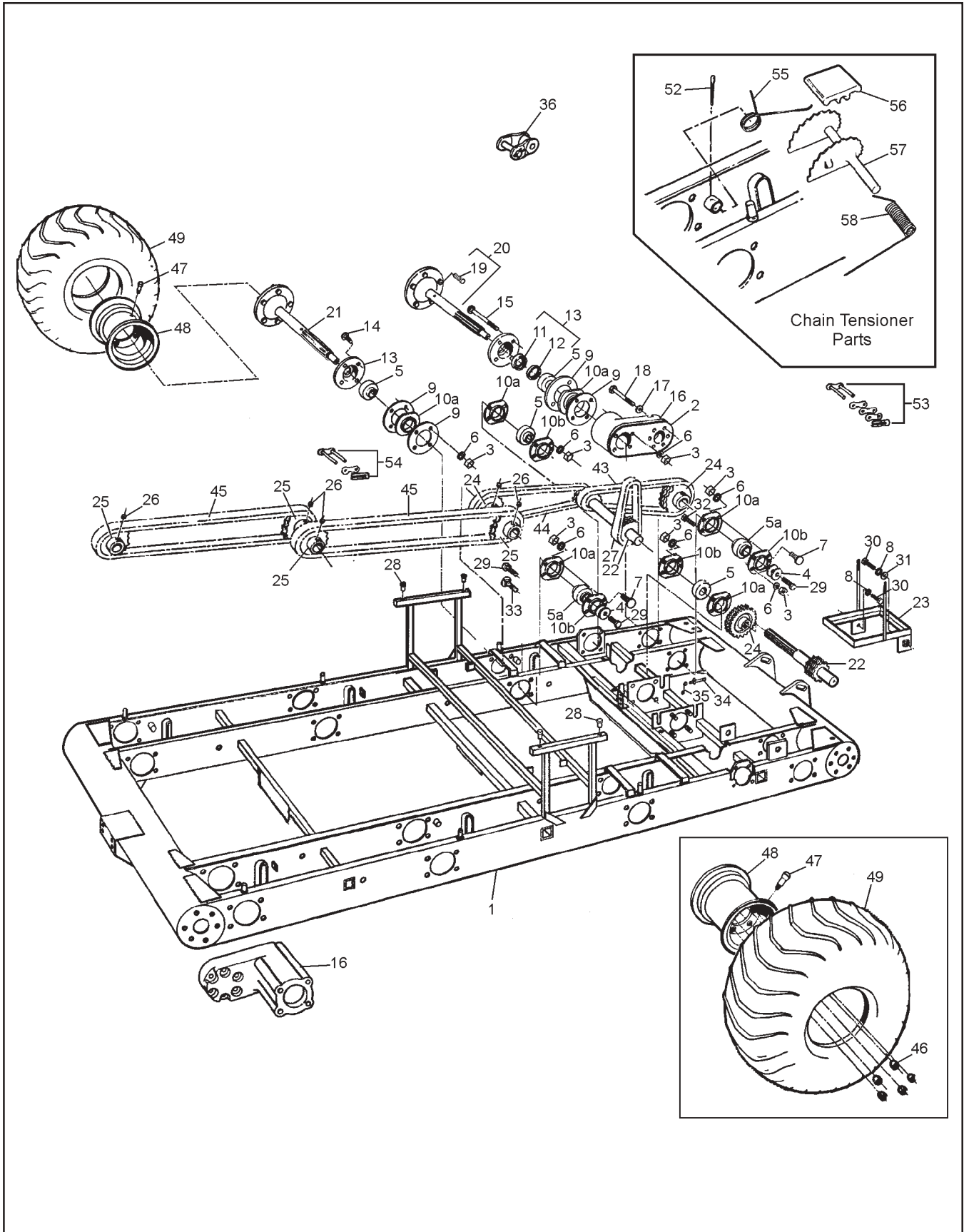


Conquest Parts Manual

6.0 Vehicle Body & Firewall

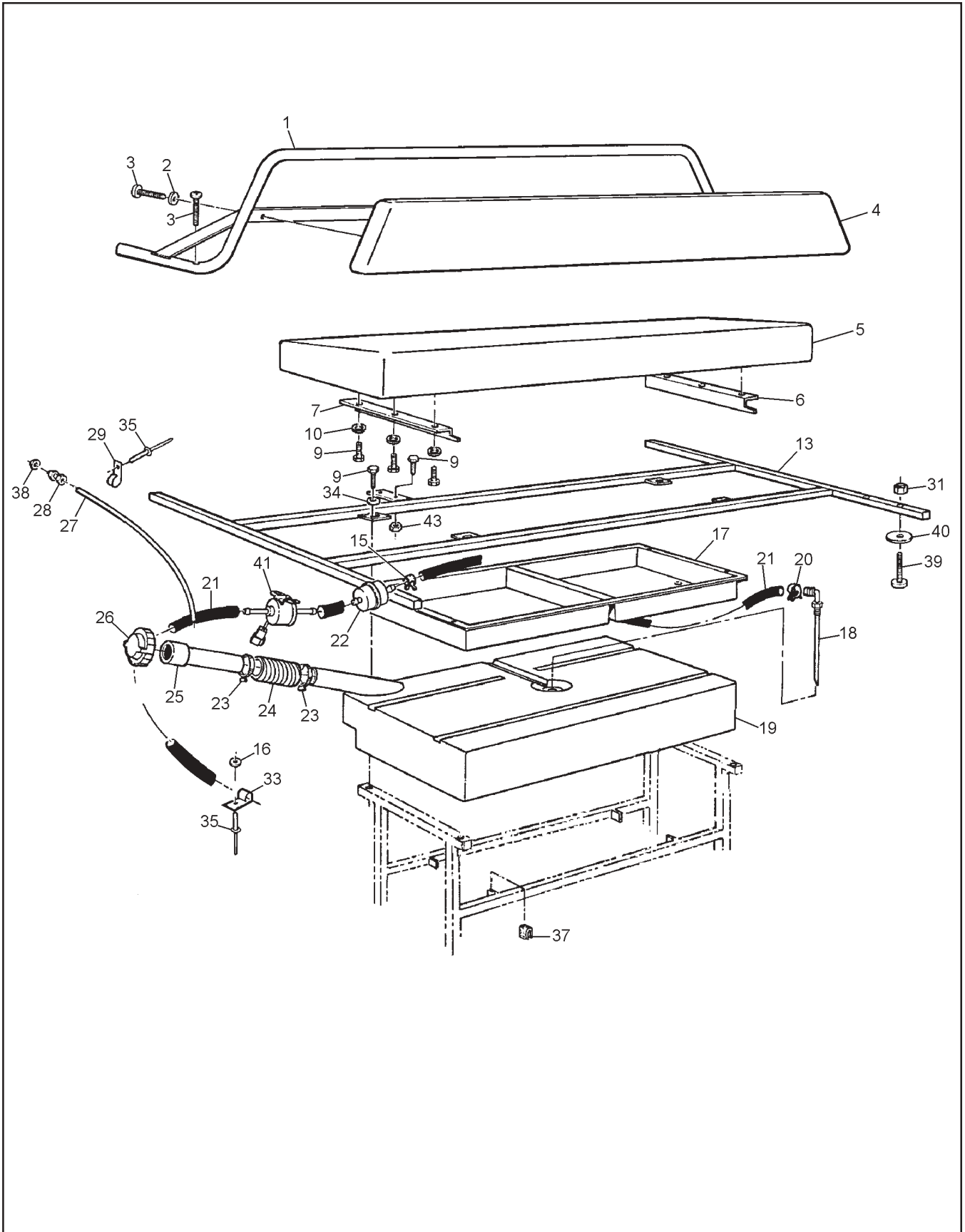
Ref.	Qty.	Part #	Description
1	1	801-98	Body & Hood, Upper - Conq, (spec. colour) (incl. Ref 5,11,12,13,14,15)
2	1	801-48BL	Body, Lower - Conq, (spec. colour)
3	1	127-28	Plug, Nylon - Black
4	1	801-05	Bumper, Vinyl - 8x8
5	1	602-34	Hood Kit - Conq, (spec. colour) (incl. 7,8,9,10,81,82,83,84)
7	1	602-38	Clip, Hood
8	23	120-13	Rivet 3/16x5/8 - Black
8b	63	120-09	Rivet 3/16x1 - Black
9	2	126-10	Wing Stud
10	2	126-09	Grommet, Alum.
11	1	602-24	Frame Asm, Hood
12	2	120-15	Rivet 1/8x7/16
13	1	601-69	Spring Plate
14	1	126-11	Spring
15	2	103-72	Screw, IHWH T/C Slot 1/4-20x3/4
16	1	602-29	Brace, Dash
17	1	601-08	Trim, Vinyl - 84"
18	2	601-09	Trim, Vinyl - 28"
19	4	112-04	HHCS 1/4-20x3/4 Gr2 Zn
20	16	108-25	Washer .31x.75x.06 Zn
21	4	108-03	Lockwasher 1/4
22	4	801-41	Washer, Seat
23	4	126-79	Bumper, Plastic - Black
25	8	103-48	T/S Pan HD PHIL #10x5/8
26	26	120-24	Rivet, 3/32x3/8 Alum.(all plates)
27	4	117-44	T-Nut 1/4-20 Zn
28	2	127-27	Nameplate - Conquest
28b	1	601-44	Nameplate - Argo
29	1	801-03	Seat, Rear LH - 8x8
30	1	801-02	Seat, Rear RH - 8x8
31	1	609-33RM	Firewall - Hydraulic Brakes
32	1	803-02	Floor Pan - Front - (spec. colour)
33	1	803-03	Floor Pan - Rear - (spec. colour)
36	57	120-04	Washer .19x.50x.08 Zn

Ref.	Qty.	Part #	Description
37	1	126-60	Vinyl Strip 1/2"x1/4"x37.5'
38	4	120-05	Washer .19x.50x.04 Zn
39	6	100-16	Clip, Hitch Pin 1.625 Zn
40	2	100-18	Plug, Drain 5/8"x13/32"
41	32	120-28	Collar, Magna Grip
43	32	120-27	Pin, Magna Grip
44	1	863-11	Skid Plate, 8x8 - Black
45	1	126-88	Bumper, Rubber
47	4	103-61	HHCS 3/8-24x1.5 Gr5 Zn
48	4	117-24	Locknut, Nylon 3/8-24 Zn
49	1	616-16	Hitch Assembly
50	1		Vehicle ID Plate, Alum.
51	1	126-65	Plate, Shifting
52	1	127-97	Plate, Caution - Keyswitch
53	1	126-67	Plate, Floor Pan
54	1	126-68	Plate, Operation
55	1	126-69	Plate, Fuel
56	1	127-76	Plate, Cap. Land/Water
58	1		U.S. Plate, Non-U.S. Argos only
61	1	125-41	Handle, Dash (incl. 62)
62	2		Plug Cap, (avail. only with 61)
63	3	117-10	Locknut, Nylon #10-24 Zn
65	3	103-25	PHMS #10-24x3/4 Zn
66	1	125-84	Grommet, Rubber
67	2	127-01	Reflector, Red
69	1	807-73	Screen, Intake - Conquest
70	1	807-98	Screen, Exhaust - Conquest
72	28	120-11	Rivet 5/32 x 9/16 - Black
73	1	117-15	Nut, Fin Hex 3/8-16 Zn
74	1	602-27	Support, Adjustable
75	1	103-89	C/Bolt 3/8-16x3/4 Gr2 Zn
76	1	108-06	Lockwasher 3/8
78	1	616-19	Tube, Hitch
79	1	104-13	Pin, Top Link
80	1	104-11	Pin, Lynch
81	2	127-45A	Pin, Hinge
82	2	127-45B	Knuckle, Hinge
83	8	103-47	HHCS 10-24x1/2
84	8	108-59	Lockwasher #10 Int. Tooth Zn



Ref.	Qty.	Part #	Description
1	1	806-00	Frame Asm - 8x8
2	2	606-24	Gasket - Bearing Extension
3	80	117-29	Locknut, Nylon 3/8-16 Zn
4	16	108-46	Washer .40x1.37x.12 Hi-Carbon
5	12	101-35	Bearing, Ball - 1.25
5a	8	101-41	Bearing, Ball - 1.0
6	82	108-15	Washer, .42x.81x.05 Zn
7	30	103-88	C/Bolt 3/8-16x1.0 Gr5 Zn
8	2	108-06	Lockwasher 3/8 Split Ring Zn
9	16	605-89	Gasket, Flange - Outer
10a	20	605-63	Flange - 4 hole
10b	12	101-20	Flange, Greasable - 4 hole
11	8	102-14	Seal, Oil 1.25x1.75x0.188
12	8	102-15	Seal, Oil 1.25x1.874x0.25
13	8	605-97	Flange Asm, Outer (incl. Refs. 11 & 12)
14	16	112-39	C/Bolt 3/8-16x1.75 Gr5 Zn
15	16	112-134	C/Bolt 3/8-16 x 6 Gr2 Zn
16	4	810-52	Bearing Extension (uses Refs. 17 & 18)
17	24	108-34	Washer 7/16 SAE Zn
18	24	103-81	HHCS 7/16-20x2.5 Gr5 Zn
19	5x8	103-80	Stud, Wheel 7/16-20x1.125 #B271
20	4	810-73	Axle Asm - Front/Rear (incl. Ref. 19)
21	4	810-75	Axle Asm - Mid (incl. Ref. 19)
22	2	810-32	Shaft, Idler - 11T
23	1	604-84	Frame Asm, Battery
24	6	810-28	Sprocket, Double - 24T
25	8	606-34	Sprocket, S60x19T
26	10	112-03	SHSS 5/16-18x3/8 ½ DOG, PL
27	2	803-17	Chain, Idler RC50-2x40P (incl. Ref. 53)
28	4	117-64	Insert, 1/4-20
29	12	112-31	HHCS 3/8-16x1.0 2B Gr8 Zn
30	2	112-14	HHCS 3/8-16x.75 Gr5 Zn
31	1	108-15	Washer 3/8 SAE Zn
32	2	103-82	HHCS 3/8-16x1.5 Gr5 Zn
33	4	112-61	C/Bolt 3/8-16 x 1.25 Gr5 Zn
34	2	120-15	Rivet 1/8x7/16
35	1	126-11	Spring
36		127-80	Link, Half - RC60 - 1 (opt.)
43	2	603-17	Chain, RC50-2 x 42P-Front (incl. Ref. 53)
44	2	603-20	Chain, RC50-2 x 70P-Mid (incl. Ref. 53)
45	4	603-93	Chain, RC60-1 x 84P-Rear (incl. Ref. 54)
46	5x8	117-35	Nut, Wheel 7/16-20 Zn
47	8	125-26	Valve, Tire
48	8	125-13C	Rim - Charcoal
49	8	126-96	Tire, Goodyear Runamuk 22x10-8
52	6	100-01	Pin, Cotter 1/8x1.50 Zn
53	1x6	100-96	Con. Link, RC50-2 H.D.
54	1x4	603-84	Con. Link, RC60-1 H.D.
55	6	127-65	Spring Torsion - 1.16x0.35
56	6	606-39	Slider Block -1/2" Shaft
57	6	606-35	Tensioner Asm, Chain
58	6	127-64	Spring, Torsion - .76x1.9
59	2	606-41	Slide, Chain - 2"
60	4	606-42	Slide, Chain - 1.25"
61		603-95	Spring Clip - RC 50 Closed
62		603-96	Spring Clip - RC 60 Closed
63	2	107-10	Retaining Ring, Sh-0125-PA

8.0 Fuel System & Seat Assembly Conquest Parts Manual

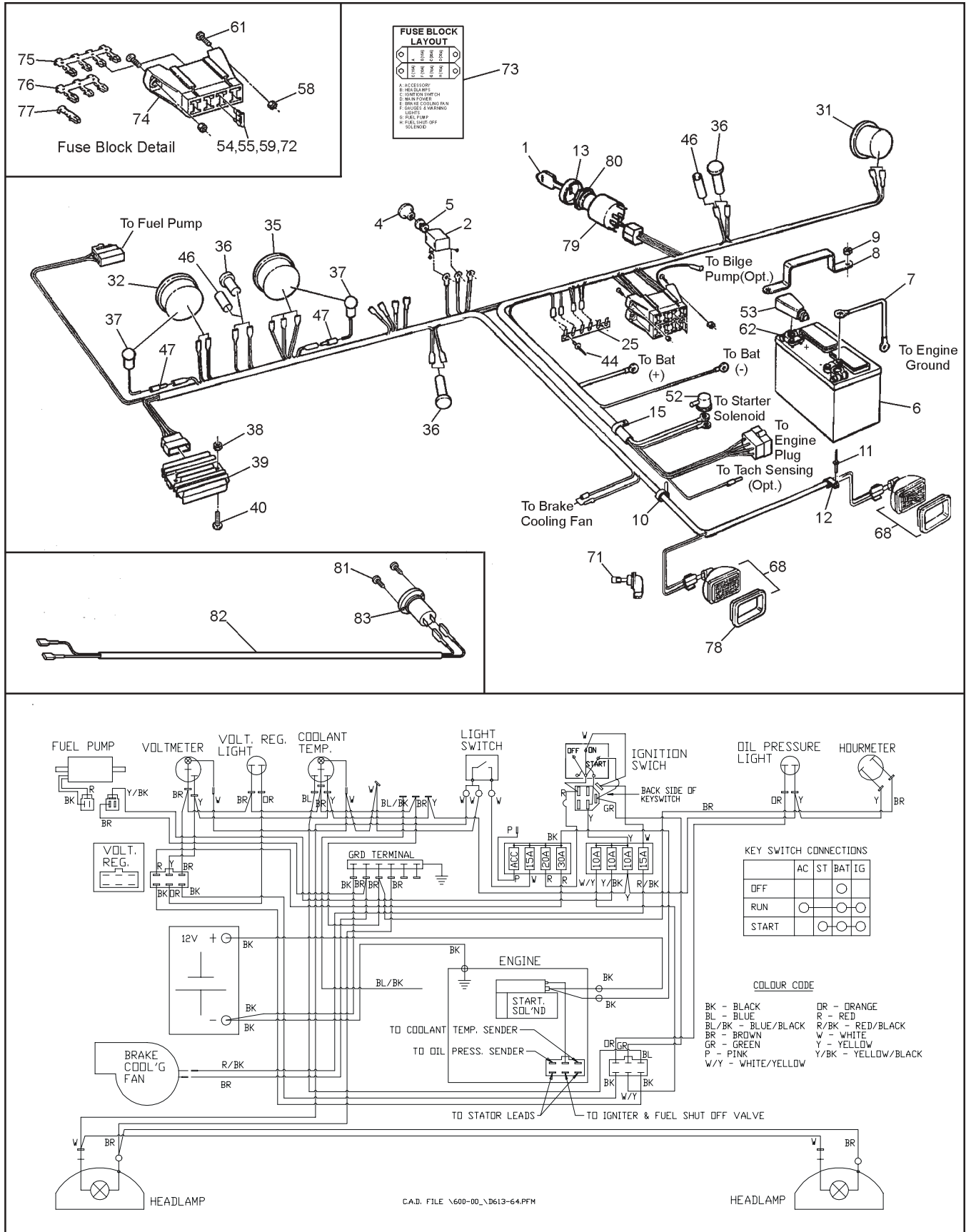


Conquest Parts Manual 8.0 Fuel System & Seat Assembly

Ref.	Qty.	Part #	Description
1	1	803-50	Handrail Assembly
2	4	108-03	Lockwasher 1/4
3	6	112-41	PHMS, PHIL 1/4-20x1.25 Zn
4	1	608-39	Back Pad Asm
5	1	608-43	Seat, Bench
6	1	608-30	Angle, Left
7	1	608-31	Angle, Right
9	12	112-04	HHCS 1/4-20x3/4 Gr2 Zn
10	6	108-03	Lockwasher 1/4
13	1	804-17	Frame Asm, Seat
15	2	112-78	Clamp, Hose, 9/16" - Black
16	2	120-04	Washer .19x.50x.08 Zn
17	1	608-32	Tool Box
18	1	608-28	Pickup Assembly, Fuel (See Ref. 19)
19	1	608-24	Tank, Fuel - 32 litre (incl. Ref. 18)
20	4	112-79	Clamp, Hose, 1/2" - Black
21	1	608-42	Fuel Hose - 110"
22	1	125-64	Fuel Filter
23	2	100-12	Clamp, Gear 2.25" HF-36
24	1	125-94	Hose, Filler
25	1	126-47	Neck Asm, Fuel
26	1	126-46	Cap, Fuel
27	1	127-21	Hose, Vent - 86"
28	1	126-50	Male Connector, 1/4"
29	6	126-94	Clamp, Nylon Wire - 1/4"ID
31	12	117-10	Locknut, Nylon #10-24 Zn
33	3	126-93	Clamp, Nylon Wire - 1/2"ID
34	4	108-08	Washer .28x.62x.04 Zn
35	8	120-09	Rivet 3/16x1 - Black
37	4	702-06	Foam Cushion
38	1	117-54	Nut, Locking PAL 1/2-20 Zn
39	12	112-07	RHMS 10-24x1.5 Zn
40	12	108-42	Washer .21x1.0x.06 Zn
41	1	49040-2065	Pump, Fuel
43	2	117-27	Locknut, Nylon 1/4-20 Zn

9.0 Electrical System

Conquest Parts Manual



Ref.	Qty.	Part #	Description
1	2	127-108	Key, Molded
2	1	100-62	Switch, Light
3	1	613-64	Wire Harness - Conquest (incl. Fuse Holders)
4	1	126-76	Knob, Light
5	1	108-55	Lockwasher 7/16 External Tooth
6	1	127-54	Battery, Exide 45-50
7	1	613-14	Wire, Ground - 14"
8	1	604-52	Bracket, Battery Retaining
9	2	117-21	Locknut, Nylon 5/16-18 Zn
10	8	100-64	Tie Wrap, 5.5" - Black
11	6	120-13	Rivet 3/16x5/8 - Black
11a	10	120-09	Rivet 3/16x1 - Black
12	16	126-93	Clamp, Nylon Wire-1/2" ID
13	1	127-107	Cover, Nut
15	5	127-24	Clamp, Nylon - 1" ID
25	1	613-37	Terminal Strip, Ground
31	1	632-15	Hourmeter
32	1	633-10	Voltmeter
35	1	634-22	Gauge, Water Temperature
36	3	634-08	Light, Indicator
37	2	634-10	Light Kit, #06215-00
38	2	117-27	Locknut, Nylon 1/4-20 Zn
39	1	21066-2070	Regulator, Voltage
40	2	103-63	PHMS, PHIL 1/4-20x1.0 Zn
44	2	120-15	Rivet 1/8x7/16
46	2	118-48	Heat Shrink, 2 x 1/2
47	2	118-02	Terminal, Male #76-1251
52	1	613-46	Terminal Insulator (2 ga.)
53	1	127-55	Cap, Battery Terminal
54	1	118-53	Fuse, 20A 2 prong (AT020)
55	2	118-49	Fuse, 15A 2 prong (AT015)
58	4	117-10	Locknut, Nylon #10-24 Zn
59	3	118-52	Fuse, 10A 2 prong (AT010)
61	4	103-25	PHMS #10-24x3/4 Zn
62	2	127-56	Terminal, Battery Post
68	2	613-62	Headlamp Asm (incl. Refs. 71 & 78)
71	2	127-46	Bulb, Headlight - Halogen
72	1	118-51	Fuse, 30A 2 prong (AT030)
73	1	127-126	Label, Fuse Panel - Kawasaki (located on Guard, Belt Protect - see pg.5)
74	2	118-60	Block - Fuse, 8 position (4 fuse)
75	1	118-61	Terminal - Fuse, quad
76	1	118-63	Terminal - Fuse, triple
77	9	118-62	Terminal - Fuse, single
78	2	613-62RB	Bezel, Rubber Headlamp
79	1	127-105	Switch, Ignition
80	1	127-106	Nut, flanged, plastic
81	3	112-139	#4 Phil Drive Oval Head Screw, Black
82	1	613-91	Wire Harness, 12V Acc. Outlet
83	1	613-90	Outlet, 12VDC

ARGO Products Manufactured by:

Ontario Drive & Gear Limited

220 Bergey Court
New Hamburg, Ontario
Canada N3A 2J5
Phone: (519) 662-2840
Fax: (519) 662-2421

ODG *Dedicated to quality and performance*