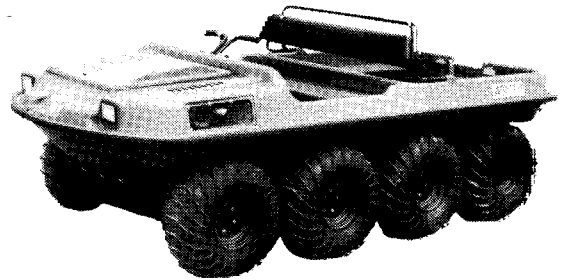


Argo 8x8
RESPONSE



ARGO

RESPONSE

PARTS MANUAL

Model No. V899-65
From Serial #RB16446

Foreword

ODG has prepared this parts manual for the RESPONSE model to assist both qualified mechanics and vehicle owners in ordering correct, quality replacement ARGO parts.

Proper and regular service, and replacing old, worn or broken parts with the correct ARGO replacement parts, are both essential to prolonging the life of the ARGO. Please refer to this parts manual before ordering any replacement part.

All information contained in this RESPONSE Parts Manual is based on the latest product specification available at time of printing. If your RESPONSE differs from the specifications contained in this manual, contact Ontario Drive & Gear Limited for information.

ODG reserves the right to alter specifications on the RESPONSE model at any time, without obligation or prior notification.

Reproduction of the RESPONSE Parts Manual No. 899-65, in whole or in part, is prohibited without prior written permission from Ontario Drive & Gear Limited.

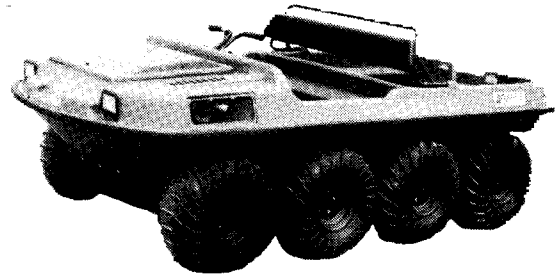
Model Identification

RESPONSE - Model No. V899-65

Explanation of Parts Manual Format

Ref	- Reference number between assembly diagram and component parts list
Part No.	- Argo replacement part number for identification and re-ordering
Description	- Part description for identification and re-ordering
Qty	- Indicates the quantity of a part used in an Assembly

ARGO 8x8 RESPONSE

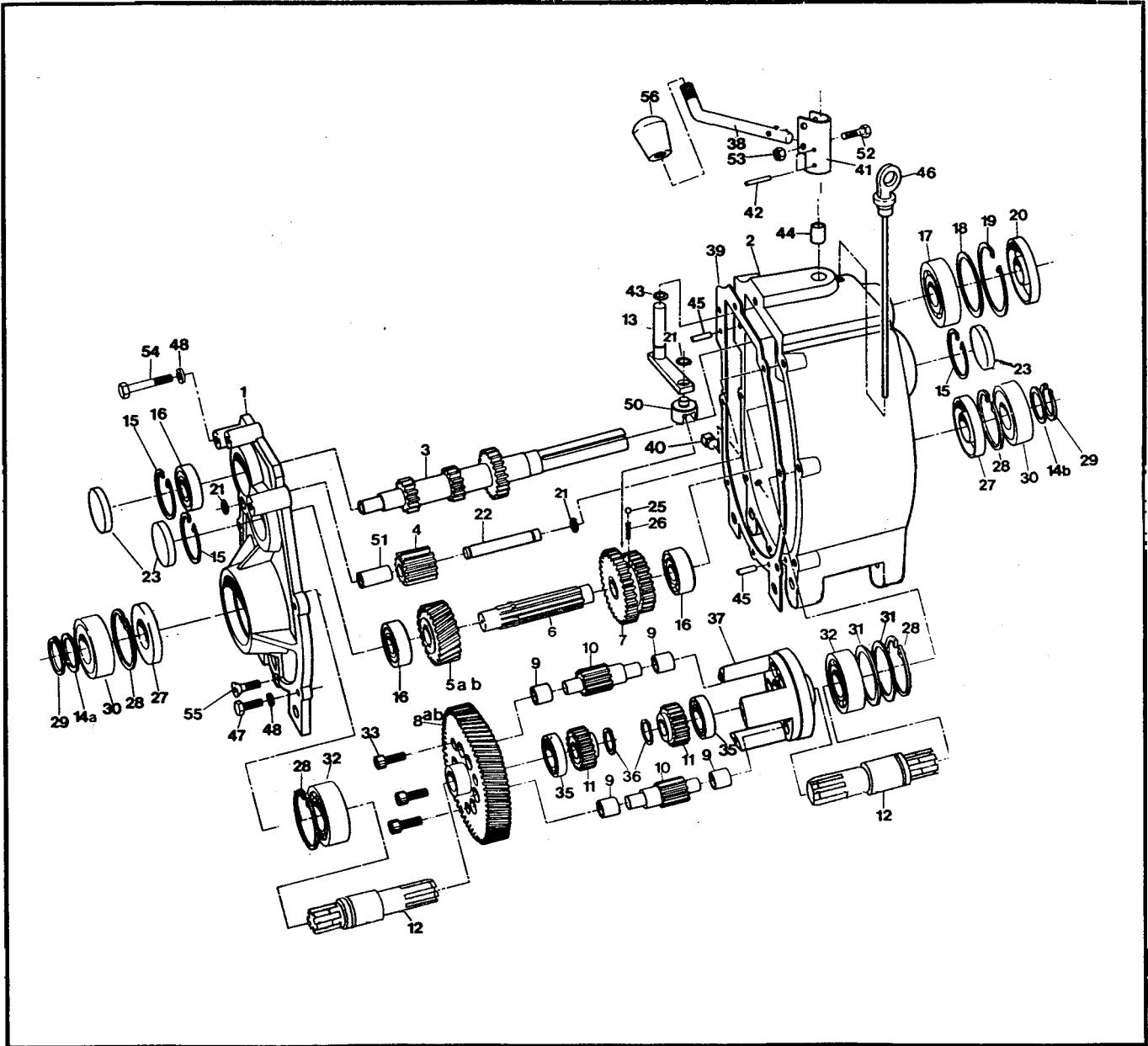


Using the Parts Manual

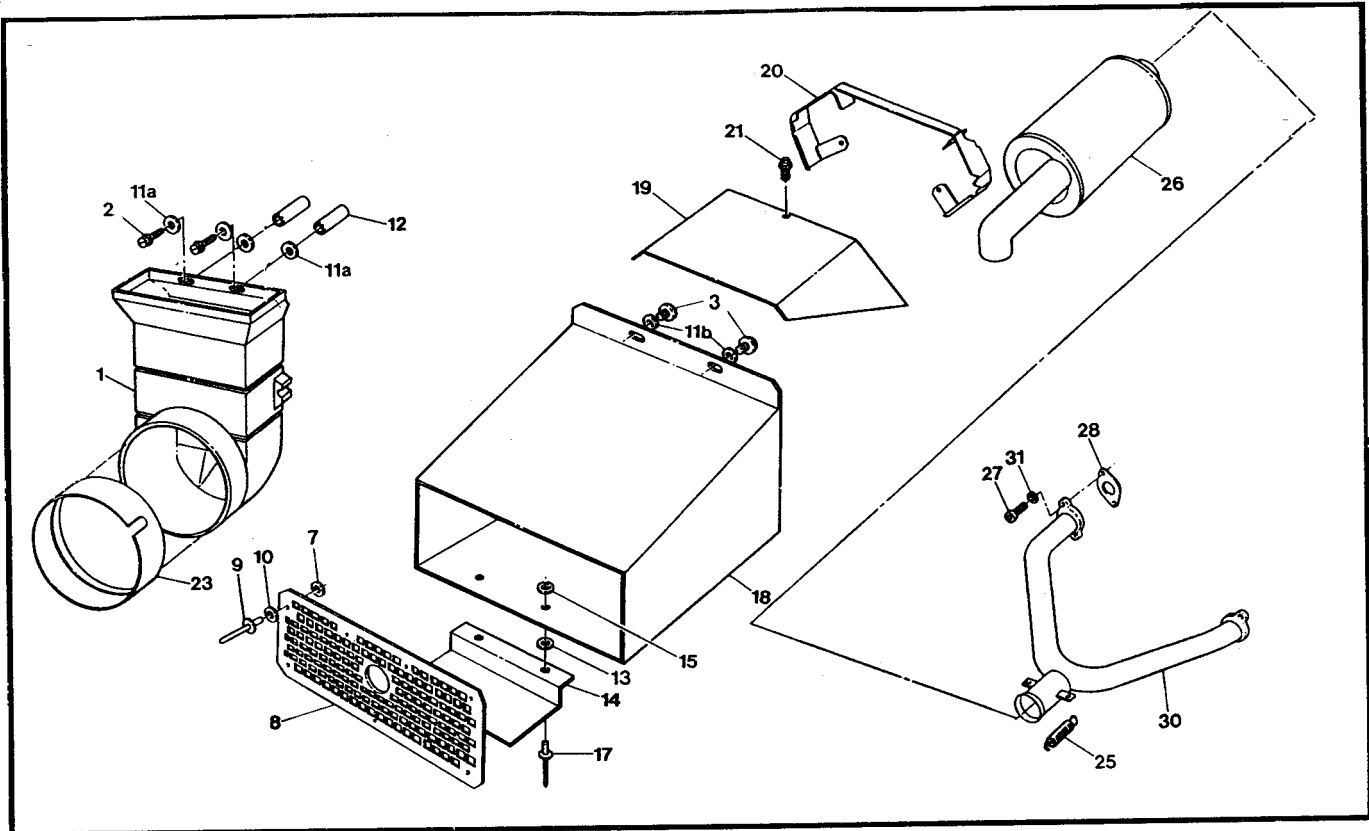
- Find the major vehicle assembly in the Table of Contents on this page, and turn to that section.
- Locate the part in the illustration that you wish to order.
- Refer to the parts list in that section.
- Find the correct part number (Part No.), part description (Description) and correct quantity (Qty).
- Use only this information to order ARGO replacement parts. *DO NOT* attempt to order a replacement part by reference number or page number.

Table of Contents

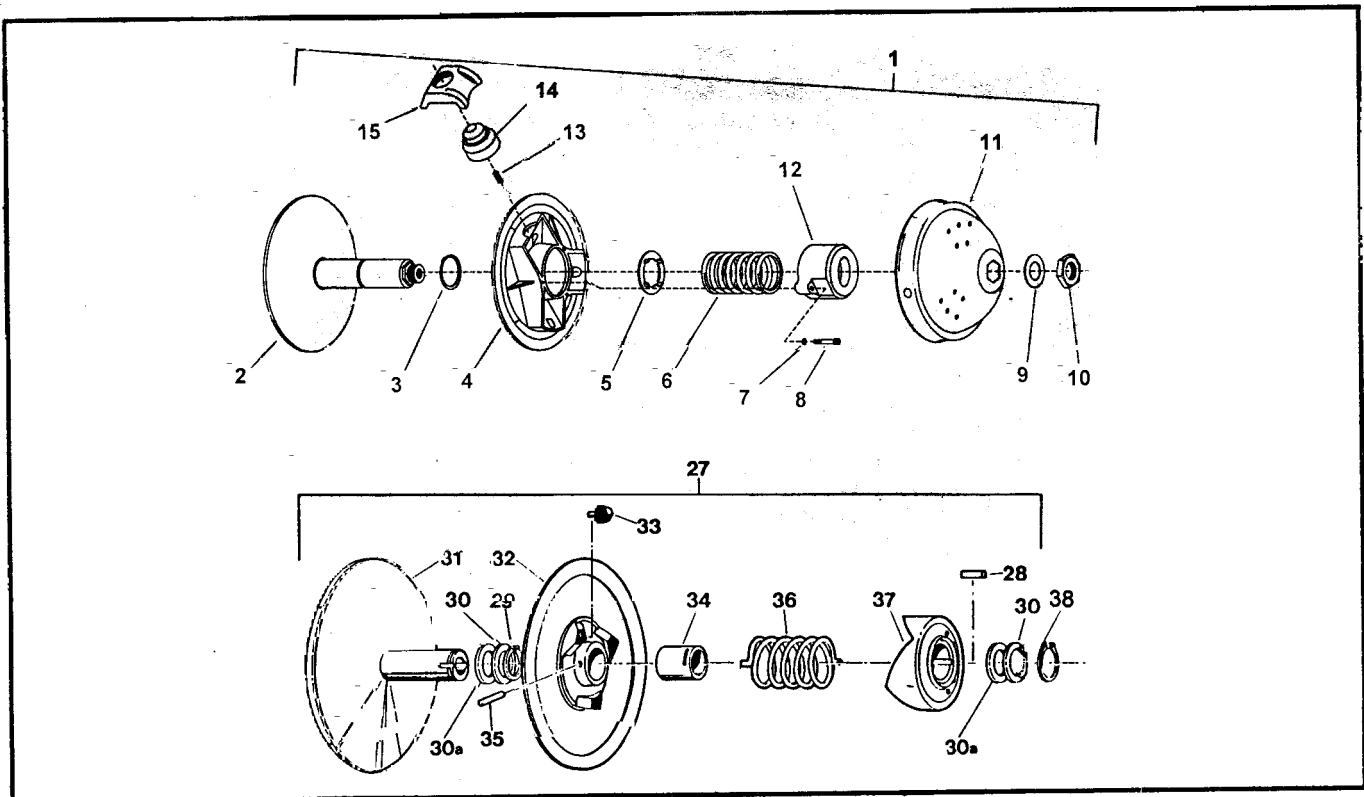
Foreword	i
Model Identification	i
Using the Parts Manual	ii
1.0 Transmission	1
2.0 Intake and Exhaust System	3
3.0 Clutch System	3
4.0 Power Pack Assembly	5
5.0 Brake System	7
6.0 Vehicle Body & Firewall	9
7.0 Frame & Drive System	11
8.0 Fuel System & Seat Assembly	13
9.0 Electrical System	15



Ref	Qty	Part No.	Description
	1	610-18M	Transmission Asm - M, does not include Refs 38, 52, 53 & 56 uses Ref 5a & 8a
		610-18G	Transmission Asm - G, does not include Refs 38, 52, 53 & 56 uses Ref 5b & 8b
1	1	34-68	Cover, Transmission
2	1	34-99	Housing, Transmission
3	1	34-21	Shaft, Input - 13/21T
4	1	34-16A	Gear, Idler 13T (incl. Ref. 51)
5a	1	34-95	Gear, Helical - 24T (M)
5b	1	34-97	Gear, Helical - 21T (G)
6	1	34-94	Shaft, Spline
7	1	34-91	Gear, Double - 26/33T
8a	1	34-22	Gear Plate - 73T (M)
8b	1	34-45	Gear Plate - 76T (G)
9	12	105-03	Bushing, Oilite
10	6	34-13	Gear, Planet - 12T
11	2	34-14	Gear, Sun - 21T
12	2	34-98	Shaft, Output
13	1	34-65	Shifter Asm
14a	1	114-04	Washer, Shim .040 Thk
14b	1	114-05	Washer, Shim .020 Thk
15	3	106-01	Retaining Ring
16	3	101-01	Bearing, Ball 6204Z-C3
17	1	101-16	Bearing, Ball 6206-C3
18	as req.	114-02	Washer, Shim
19	1	106-05	Retaining Ring
20	1	102-05	Seal, Oil WBS 30x62x10
21	3	107-05	Retaining Ring N1400-50
22	1	34-11	Pin, Dowel 1/2 x 3.50
23	3	31-07	Plug Plate
25	1	109-05	Ball, Steel 6mm 62-67 Rc
26	1	34-32	Spring, Compression - 7/32 x 0.50
27	2	102-03	Seal, Oil WBS 30x72x10
28	4	106-03	Retaining Ring
29	2	107-02	Retaining Ring
30	2	101-05	Bearing, Ball 6306-2NSE C3
31	2	114-01	Washer, Shim 2.25x2.81x.02
32	2	101-03	Bearing, Ball 6207-C3
33	3	103-04	SHCS 5/16-18 x 1.0 Bare
35	2	101-15	Bearing, Ball 6005-C3
36	2	107-04	Retaining Ring
37	1	34-08	Cage
38	1	610-77	Lever, Shift
39	1	34-47	Gasket, Cover - 1/64" Thk
40	1	103-02	Plug, Magnetic 3/8 - 18 NPT Sq. Hd.
41	1	34-86	Holder, Shift Lever
42	2	111-01	Pin, Spring 5/32 x 1.00 - Slotted
43	1	113-01	O-Ring 012-7147
44	1	105-02	Bushing, Oilite 1/2x 1.0
45	2	104-03	Pin, Dowel 1/4 x 7/8" long
46	1	34-77	Dipstick - with Breather
47	4	103-06	HHCS 5/16-18x1.0 GR5 Zinc
48	7	108-05	Lockwasher 5/16 Zinc
50	1	34-63	Shift Yoke
51	1	105-05	Bushing, Oilite 1/2 x 1.5 (in Ref 4)
52	1	103-97	HHCS 1/4-20x1.25 GR5 Zinc
53	1	117-27	Locknut, Nylon 1/4-20 Zinc
54			See Section 4.0 Power Pack Assembly
55	1	103-95	FHSC 5/16-18x1.0 GR8 Zinc
56	1	126-38	Knob, Shift



3.0 Clutch System

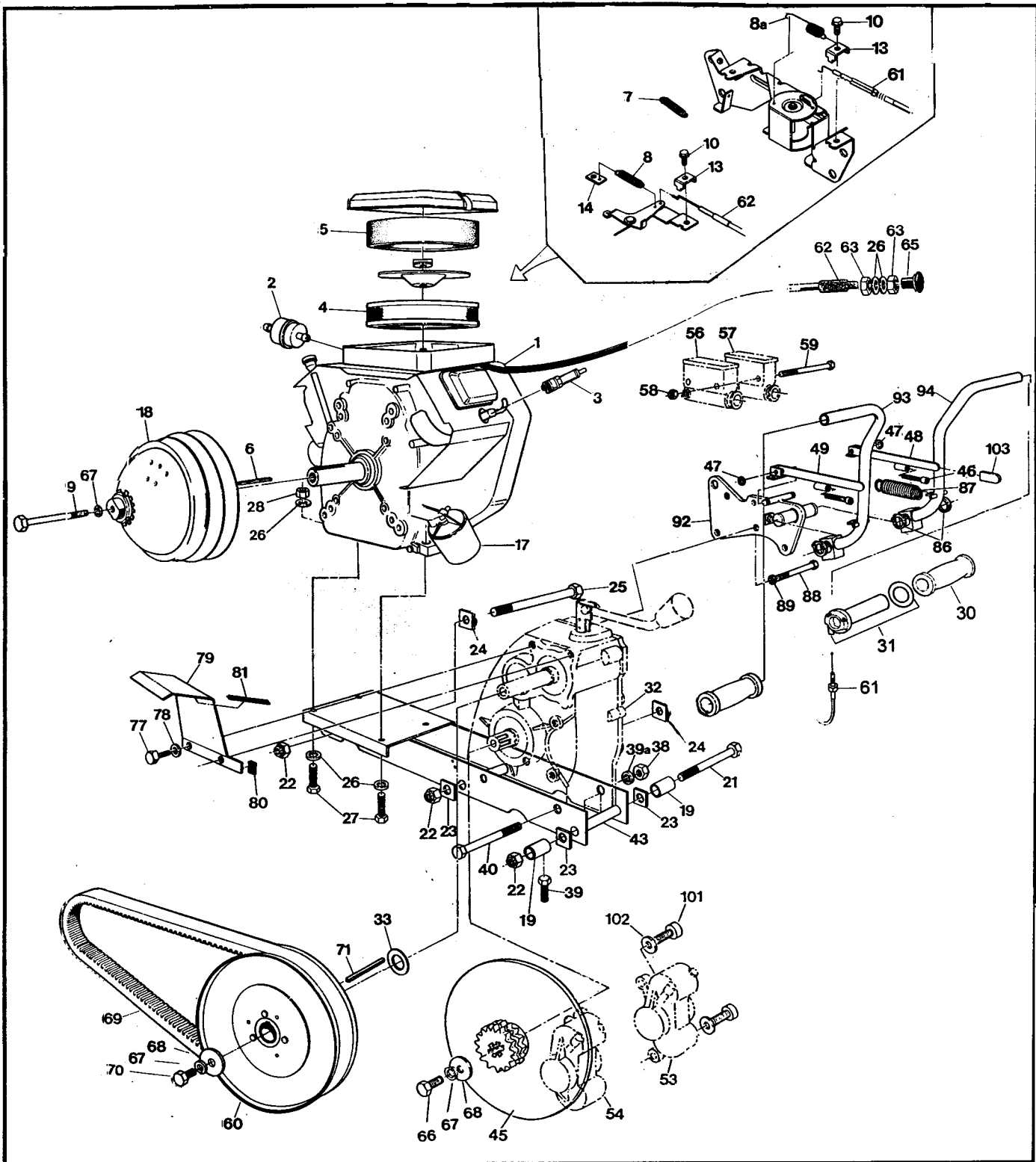


Response Parts Manual 2.0 Intake and Exhaust System

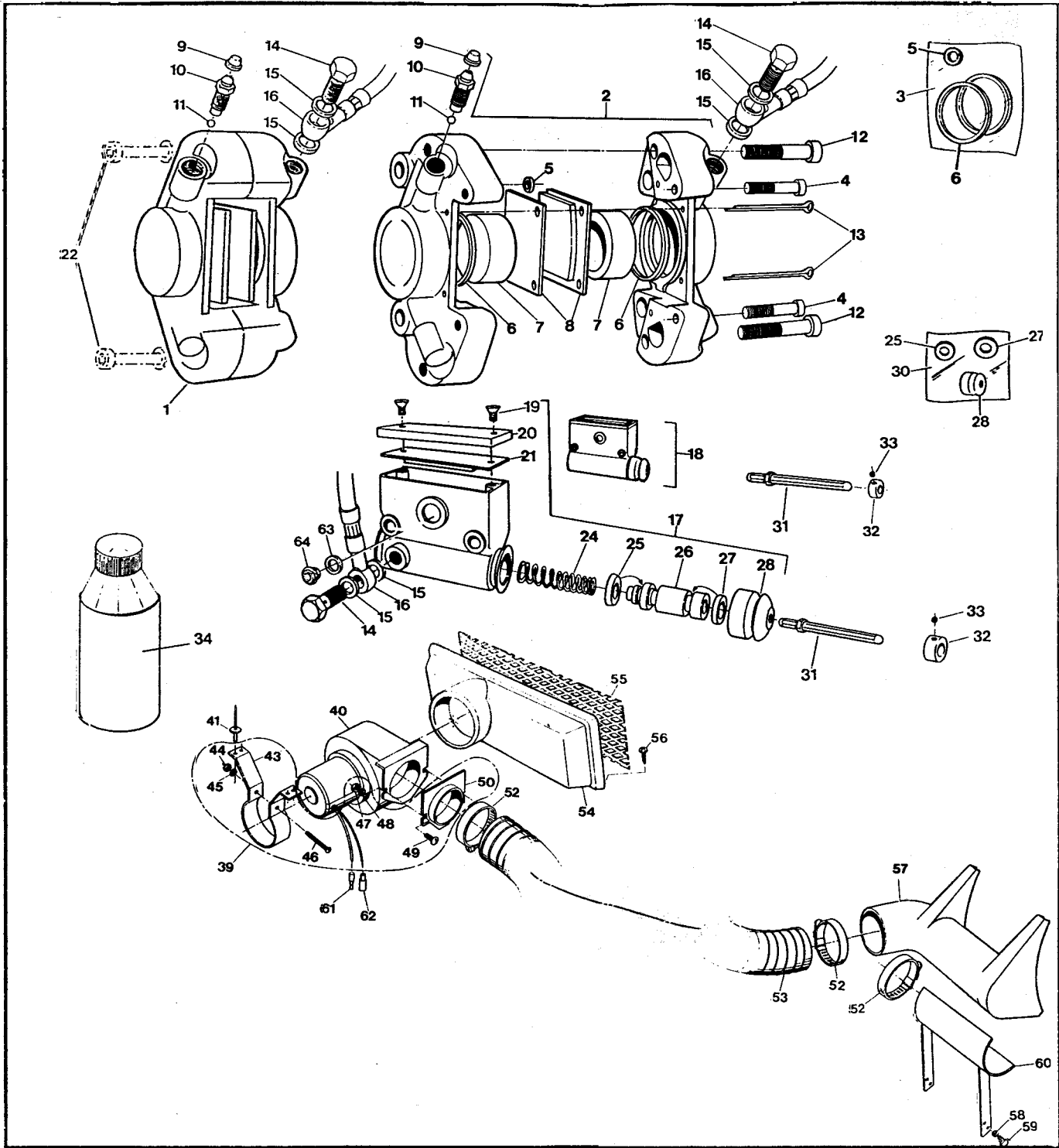
Ref	Qty	Part No.	Description
1	1	603-81	Duct, Intake
2	2	112-48	Screw, T/S HH#14x2.25 Zinc
3	2	112-19	Screw, IHWH T/C Slot 1/4-20x0.5
7	7	120-05	Washer, .195x.50x.040 Zinc
8	1	707-31	Screen, Exhaust
9	7	120-09	Rivet 3/16 x 1
10	7	125-59	Washer, Fibre -.062x.25x.50
11a	4	108-08	Washer, 1/4 SAE Zinc
11b	2	108-08	Washer, 1/4 SAE Zinc
12	2	120-29	Spacer, .26 ID x 1.12 LG
13	2	125-58	Washer, Fibre - W-77F
14	1	707-28	Support, Exhaust Duct
15	2	120-04	Washer, .195x.50x.08 Zinc
17	2	120-13	Rivet - 3/16x5/8
18	1	707-32	Duct, Exhaust - Response
19	1	707-26	Cover, Engine Duct
20	1	707-25	Duct, Engine
21	3	112-19	Screw, IHWH T/C Slot 1/4-20x1/2
23	1	603-82	Seal
25	2	126-57	Spring, Exhaust
26	1	707-15	Muffler
27	4	112-30	SHCS, M8x1.25x20.0 Zinc
28	2	805024	Gasket
30	1	707-05	Manifold, Exhaust
31	4	108-02	Lockwasher, Hi-Collar 5/16. PL

3.0 Clutch System

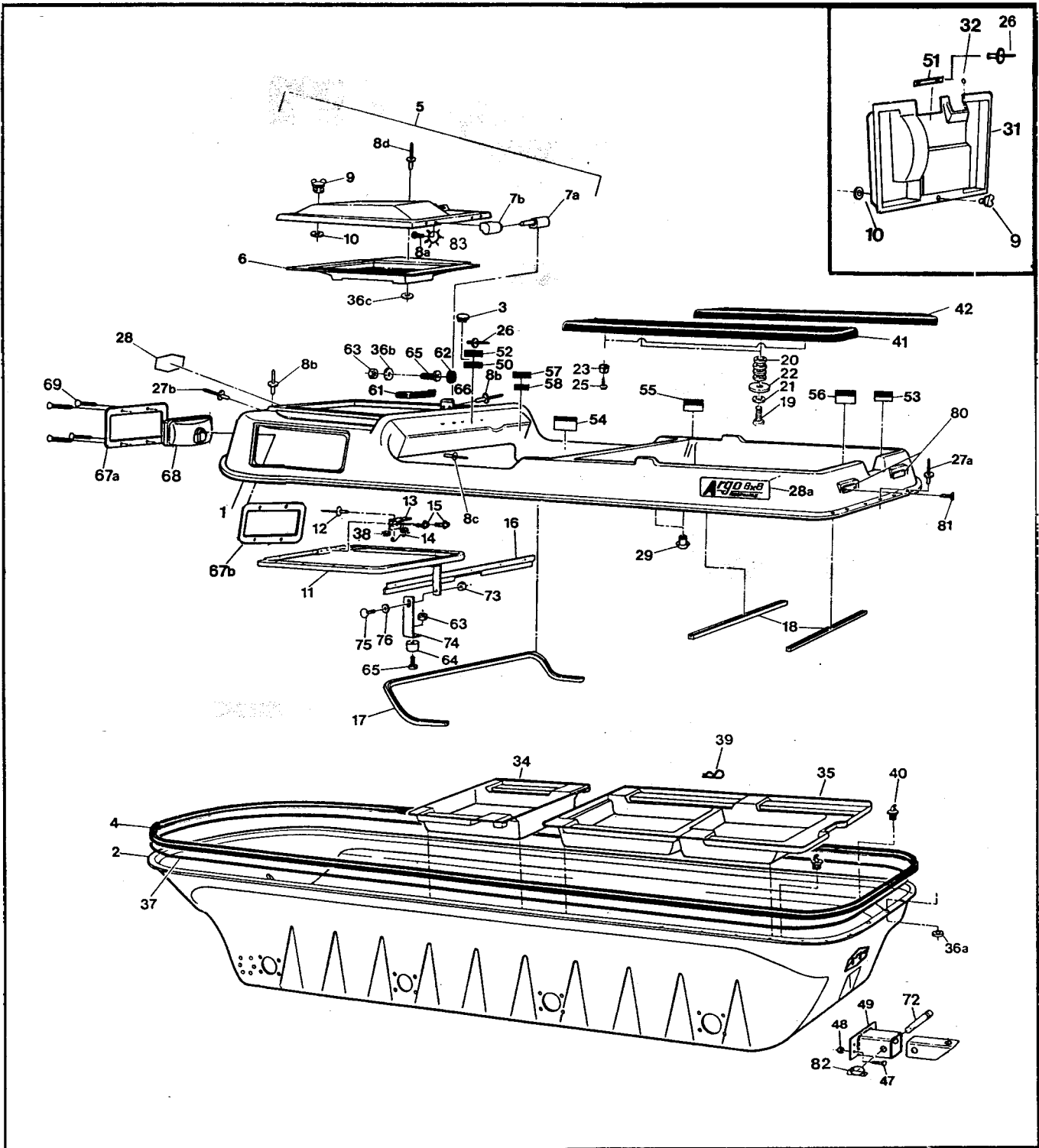
Ref	Qty	Part No.	Description
1	1	127-73	Clutch, Driver, keyed incl. Refs 2-15, 0040-0030
2	1	0405-0021	Pulley, Fixed half
3	1	V08	Ring, Retaining D1400-350
4	1	0410-0007	Pulley, Sliding half
5	1	V09	Washer, Spring Guide
6	1	V10-48-108-18	Spring
7	3	420-2453-700	Washer, Lock
8	3	222-9640-66	SHCS
9	1	0080-0153	Washer
10	1	0080-0100	Nut
11	1	0115-0003(A)	Cap
12	1	0440-0001	Cover, Spring
13	3	C24-L1	Spring, Anti-Noise
14	3	C13-225	Slug, Lead 225 g
15	3	0130-3002	Block, Red
27	1	126-24	Clutch, Driven - Model "B" incl. Refs 28-38 SODB0001
28	1	ASK-5	Key 1/4 x 1/4 x 5/8
29	1	ASR-6	Retaining Ring N1400-150A
30	as req	ASA-1	Spacer .050" Thick
30a	as req	ASA-1-S	Spacer .025" Thick
31	1	AFK25.4-250OD01	Pulley, Half - Fixed
32	1	AMC-2-250OD01	Pulley, Half - Sliding incl. Refs. 33, 34 and 35
33	3	ANS-2-T	Shoe, Cam
34	1	AMB-2	Bushing, Bronze
35	1	111-01	Pin, Spring 5/32 x 1.00
36	1	ACS-3-188	Spring, Blue
37	1	AFC-4-C3D4	Cam
38	1	371-9031-000	Retaining Ring



Ref	Qty	Part No.	Description
1	1	127-53	Engine - Vanguard 18HP incl Refs 2-14, 17 B&S #3504471282E1
2	1	125-64	Fuel Filter, G81-4
3	2	126-74	Spark Plug #3926
4	1	394018	Filter, Air
5	1	272490	Element, Foam
6	1	110-03	Key 1/4x3/16x2.375 RC46
7	1	805458	Spring
8	1	125-88	Spring, Return
8a	1	127-49	Spring, Return
9	1	112-28	HHCS 3/8-24x4.5 GR5 Zinc
10	1	805169	Screw-Hex Head (Briggs #)
10a	1	805169	Screw-Hex Head (Briggs #)
13	1	805170	Clamp - Casing (Briggs #)
13a	1	805170	Clamp - Casing (Briggs #)
14	1	601-86	Clip, Retainer
17	1	126-95	Filter, Oil
18			See Section 3.0 Clutch
19	2	811-14	Spacer
21	1	112-57	HHCS 5/8-11x10.0 GR5 Zinc
22	3	117-09	Locknut, Nylon 5/8 Zinc
23	3	811-09	Washer, Square Lock .64 ID
24	2	811-15	Washer, Square Lock .64 ID
25	2	112-58	HHCS 5/8-11x7.5 GR5 Zinc
26	8	108-24	Washer 5/16 SAE Zinc
27	4	112-27	HHCS 5/16-18x1.75 Gr5 Zinc
28	4	117-21	Locknut, Nylon 5/16-18 Zinc
30	2	127-35	Grip, Molded Rubber
31	1	127-81	Throttle Twist Grip
32			See Section 1.0 Transmission
33	as req	108-36	Washer .06x1.00x1.375 Zinc
38	2	117-06	Nut, Fin Hex 1/2-13 Zinc
39	2	103-53	HHCS 3/8-16x3.0 Full Thread
39a	2	108-07	Lockwasher 1/2 Zinc
40	2	103-20	HHCS 1/2-13x6.5 GR5 Zinc
43	1	611-71	Frame, Power Pack
45	2	610-80	Brake Disc - #50-2 x 13T
46	2	103-69	SHCS 1/4-20 x 1.5 Zinc
47	2	113-02	O-Ring #106-8309
48	1	810-21	Lever Asm, Brake - RH
49	1	810-20	Lever Asm, Brake - LH
53 to 57			See Section 5.0 Brake System
58	2	117-27	Locknut, Nylon 1/4-20 Zinc
59	2	103-66	HHCS 1/4-20x4.0 GR5 Zinc
60			See Section 3.0 Clutch System
61	1	612-101	Cable Asm, Throttle
62	1	612-92	Cable Asm, Choke incl 63
63	2		Jam Nut, 5/16-24, Part of 62
64	2	108-24	Washer 5/16 SAE Zinc
65	1	126-75	Knob, Choke - Black
66	2	103-18	HHCS 3/8-24x1.25 GR5 Zinc
67	2	108-06	Lockwasher 3/8 S/R Zinc
67a	1	108-06	Lockwasher 3/8 S/R Zinc
67b	1	108-06	Lockwasher 3/8 S/R Zinc
68	3	108-18	Washer 13/32x1.375x11GA
69	1	125-56	Drive Belt
70	1	103-34	HHCS 3/8-16x1.25 GR5 Zinc
71	1	110-09	Key 1/4 x 1/4 x 3.0
77	2	103-17	HHCS 3/8-16x1.0 GR5 Zinc
78	2	108-26	Washer 3/8 Zinc
79	1	603-29	Guard, Belt Protect
80	1	601-92	Trim, Vinyl - 1.5"
81	1	601-93	Trim, Vinyl - 4.25"
86	4	106-07	Retaining Ring N1400-75
87	2	127-33	Spring, Extension
88	3	103-55	HHCS 5/16-18x2.75 Gr5 Zinc
89	3	108-05	Lockwasher 5/16 Zinc
92	1	850-61	Bracket Asm, Steering
93	1	812-27	Lever Asm, Steering - LH
94	1	812-26	Lever Asm, Steering - RH
101	4	103-41	SHCS 3/8-16 x 1.25 Zinc
102	4	108-23	Washer 3/8 SAE Gr8 - Dich.
103	2	126-89	Cap, Vinyl - Black



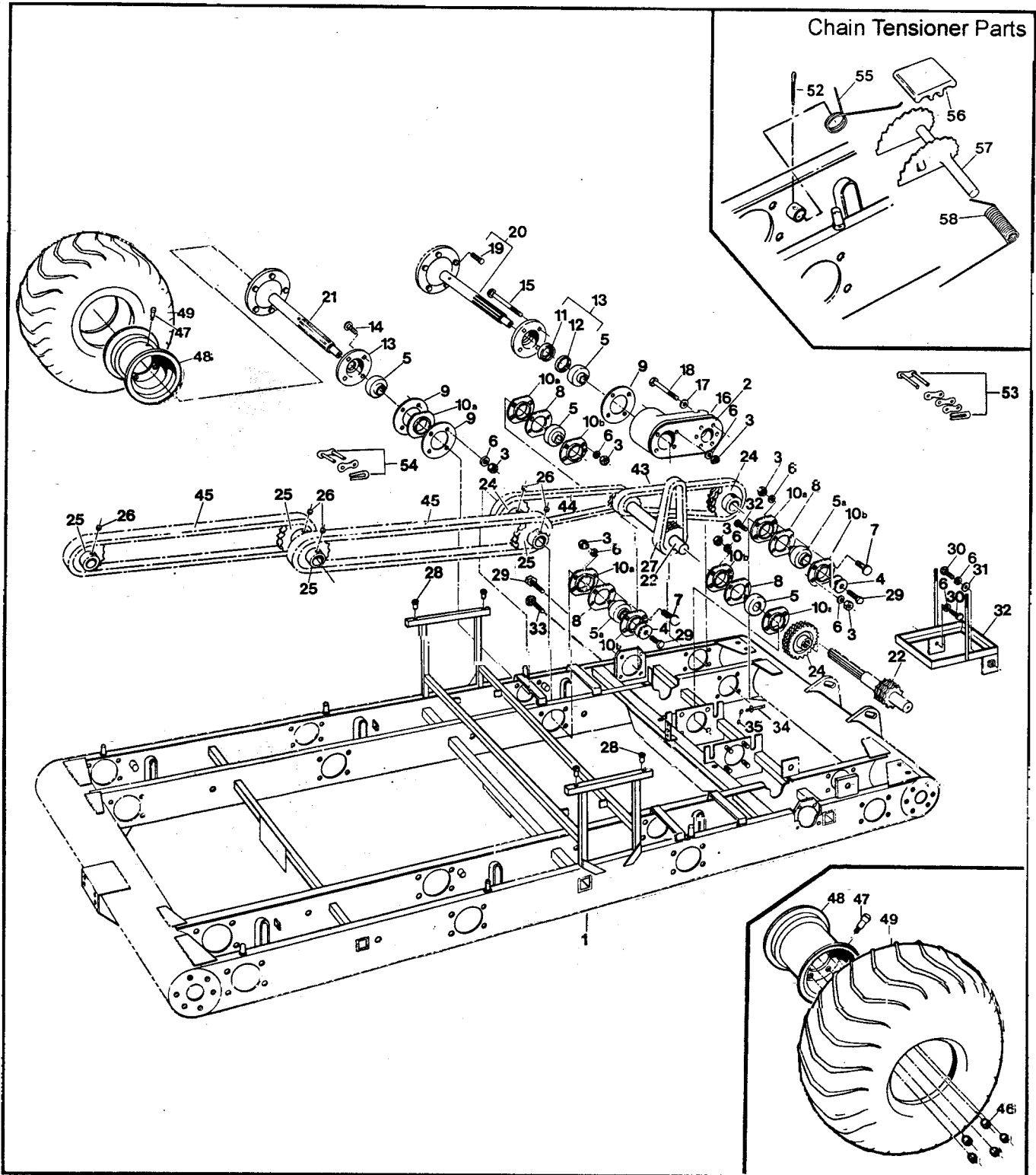
Ref	Qty	Part No.	Description
1	1	166-01RM	Caliper, Brake-L w/o pads (incl. Refs 5,6,7,9-12)
2	1	166-02RM	Caliper, Brake-R w/o pads (incl. Refs 5,6,7,9-12)
3	2	161-01	O-Ring Kit, Caliper (incl. Refs 5 & 6)
4	2	160-40	SHCS M8 x 1,25 x 40 Zinc
5	1		Seal, Rubber-5mm (see Ref 3)
6	2		Seal, Piston-41mm (see Ref 3)
7	2x2	168-05	Piston 41mm
8	1	170-02	Brake Pad Set (4)- Non-asbestos
9	1x2	168-20	Plug, Rubber
10	1x2	168-03	Screw, Bleeding M10 x 1,0
11	1x2	109-03	Ball, Steel - 7/32 Dia.
12	2x2	160-41	SHCS M10x1,5x50mm Zinc
13	2x2	168-06	Pin, Cotter 3,2 x 50mm
14	4	160-44	Bolt, Banjo-M10x1,0x21,0 Zinc
15	8	160-01	Washer, Copper - 1,5x10,0x14,0
16	1x2	163-01	Hose Asm, Hydraulic-310mm
17	1	165-06	Master Cylinder -left (incl. Refs 19 to 21, 24 to 28, 63 & 64)
18	1	165-05	Master Cylinder - right (incl. Refs 19 to 21, 24 to 28, 63 & 64)
19	2x2	160-42	FHMS M5 x 0,8 x 6mm
20	1x2	168-08	Cover
21	1x2	168-09	Cover, Rubber
22			See Section 4.0 Power Pack Assembly
24	1x2	162-02	Spring, comp. 0.59 x 1.5
25	1x2		Seal, Primary, 19mm (See Ref. 30)
26	1x2	168-10	Piston 19mm Dia.
27	1x2		Seal, Secondary, 19mm (See Ref. 30)
28	1x2		Boot, Rubber (See Ref. 30)
30	1x2	161-25	O-Ring Kit-Master Cylinder (incl. Refs 25, 27 & 28)
31	2	812-13	Pin Asm, Plunger-Adjustable
32	2	812-17	Collar
33	2	112-02	SHSS 10-24x1/4 Knurl Cup Pt,PL
34		126-19	Fluid, Brake-Silicon Dot 5 - .35L
39	1	125-92	Adpt. & Mounting Kit - Fan (incl. Refs 43 to 50)
40	1	125-91	Blower Fan
41	4	120-13	Rivet 3/16x5/8 - Black
43	1		Mounting Bracket
44	1		Nut, #10-32
45	1	See	Lockwasher, 3/16"
46	1	125-92	Screw, #10-32 x 2"
47	2	Above	Nut, 1/4-20
48	2		Lockwasher, 1/4"
49	2		Screw, 1/4-20 x 5/8"
50	1		Adaptor, 3" Dia.
52	3	125-35	Clamp, Gear 3.50" HF-52
53	1	127-44	Hose, Intake 3" dia. x 46"
54	1	601-89	Intake Flange (specify colour)
55	1	126-61	Intake Screen
56	4	112-56	Pan HD Phil T/S #10x3/4 A Zinc
57	1	127-39	Brake Cool Air Duct
58	4	108-03	Lockwasher 1/4 Split ring
59	4	112-19	Screw, IHWB T/C Slot 1/4-20x1/2
60	1	668-11	Mounting Bracket - Duct
61	1	118-02	Terminal, Male #76-1251
62	1	118-03	Terminal, Female#76-1289
63	1x2	160-03	O-Ring, Oil Window
64	1x2	168-14	Oil Window, Master Cylinder



Response Parts Manual

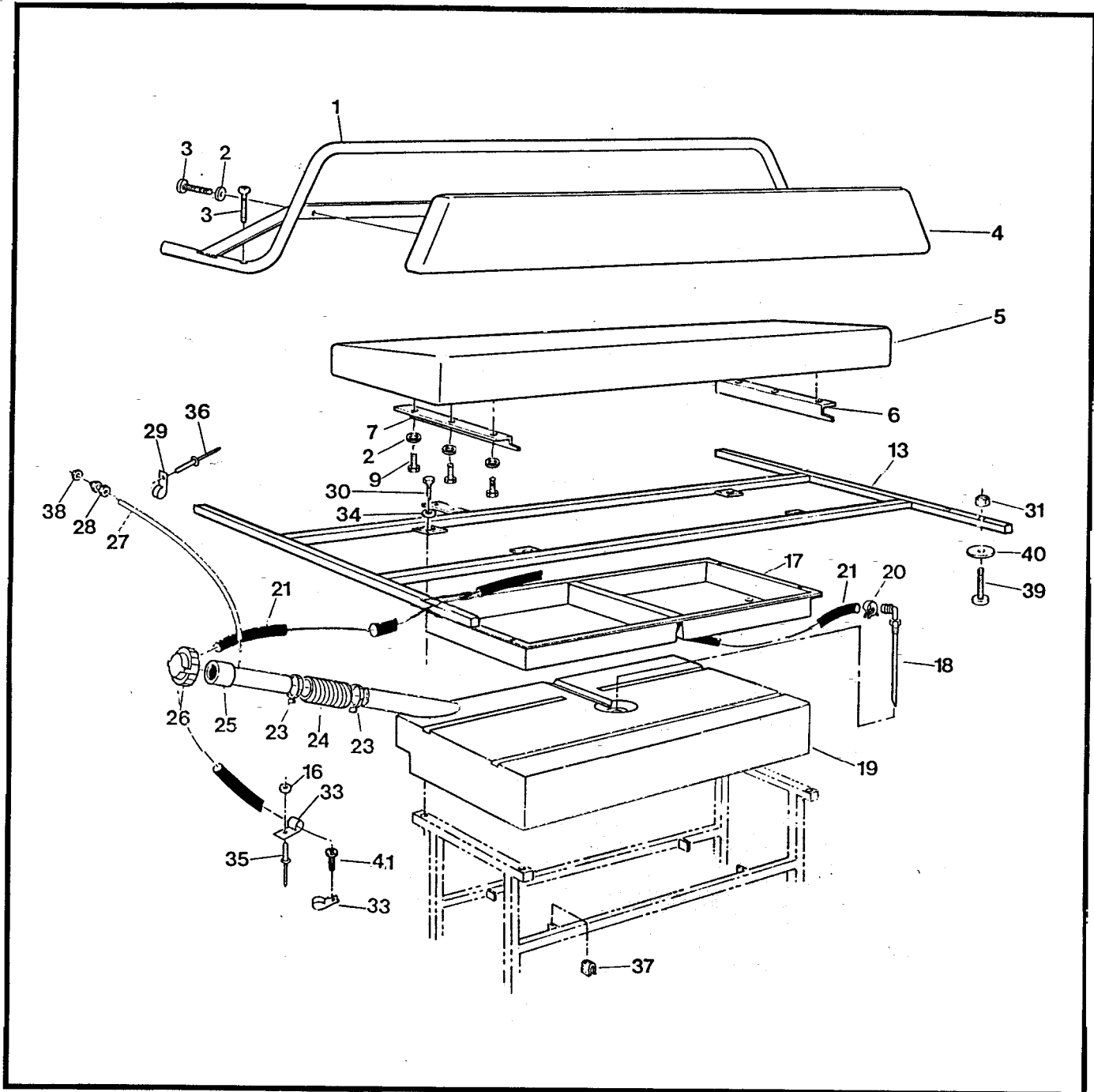
6.0 Vehicle Body & Firewall

Ref	Qty	Part No.	Description	Ref	Qty	Part No.	Description
1	1	801-44	Body & Hood, Upper - Response Replacement, specify colour (incl. Ref 5b, 11 to 15 & 38)	36c	5	120-04	Washer .195IDx.50ODx.08 Zinc
2	1	801-45BL	Body, Lower - Response, Black	37	1	120-60	Vinyl Strip 1/2x1/4x37.5
3	1	127-28	Plug, Nylon - Black	38	2	120-05	Washer
4	1	801-05	Bumper, Vinyl - 8x8	39	6	100-16	Clip, Hitch Pin 1.625 Zinc
5	1	602-37	Hood Kit - Response, (specify colour) (incl. Ref 6 to 10 and 36c)	40	2	100-18	Plug, Drain 5/8x13/32
6	1	801-47	Duct, Intake Transition (specify colour)	41	1	801-03	Seat, Rear LH - 8x8
7a	2	127-45A	Pin, Hinge	42	1	801-02	Seat, Rear RH - 8x8
7b	2	127-45B	Knuckle, Hinge	47	4	103-61	HHCS 3/8-24x1.5 GR5 Zinc
8a	8	103-47	HHCS 10-24x1/2 Zinc	48	4	117-24	Locknut, Nylon 3/8-24 Zinc
8b	7	120-13	Rivet 3/16 x 5/8	49	1	616-16	Hitch Assembly
8c	5	120-13	Rivet 3/16 x 5/8	50	1	126-72	Plate, Holding Brake
8d	10	120-09	Rivet 3/16x1	51	1	126-65	Shifting Plate
9	2	126-10	Wing Stud	52	1	127-26	Steering Lever & Winch Plate
10	2	126-09	Grommet, Alum. #GH-7	53	1	126-67	Floor Pan Plate
11	1	602-24	Hood Frame Assembly	54	1	126-68	Operation Plate
12	2	120-15	Rivet 1/8 x 7/16	55	1	126-69	Fuel Plate
13	1	601-69	Spring Plate	56	1	127-76	Plate, Capacity - Land/Water
14	1	126-11	Spring	57	1	126-64	Vehicle ID Plate
15	2	112-19	Screw, IHWH T/C Slot 1/4-20x1/2	58	1		U.S. Plate, Non U.S. Argos only
16	1	602-29	Brace, Dash				
17	1	601-08	Vinyl Trim, 84"	61	1	125-41	Dash Handle, incl. 62
18	2	601-09	Vinyl Trim, 28"	62	2		Plug cap, avail. only with 61
19	4	112-04	HHCS 1/4-20x3/4" Gr2 Zinc	63	3	117-10	Locknut, Nylon #10-24 Zinc
20	16	108-25	Washer 1/4 Zinc	64	1	126-88	Bumper, Rubber
21	4	108-03	Lockwasher, 1/4 Split Ring	65	3	103-25	PHMS #10-24x3/4 Zinc
22	4	801-41	Washer, Seat	66	1	602-38	Clip, Hood
23	4	126-79	Bumper, Plastic - Black	67a	2	613-75	Bezel, Headlamp
25	4	103-48	T/S Pan HD Phil #10 5/8 A Zc	67b	2	613-76	Bracket, Headlight Backing
26	38	120-24	Rivet, Alum - 3/32x3/8-all plates	68			See Section 9.0 Electrical
27a	60	120-09	Rivet 3/16 x 1	69	8	103-24BL	OHPS T/S #6 x 1.0 Black Zinc
27b	25	120-09	Rivet 3/16 x 1	71	1	616-19	Tube, Hitch - Insert
28	1	601-44	Nameplate, ARGO	72	1	104-13	Pin, Top Link
28a	2	127-42	Nameplate, 8x8 Response	73	1	117-15	Nut, Fin. Hex 3/8-16 Zinc
29	4	117-44	T-Nut 1/4-20 PL	74	1	602-27	Support, Adjustable
31	1	609-33	Firewall Asm. (incl. 9, 10, 26, 32, 51)	75	1	103-89	C/Bolt 3/8-16x3/4 GR2 Zinc
32	1	125-84	Grommet, Rubber	76	1	108-06	Lockwasher 3/8 Zinc
34	1	803-02	Floor Pan, Front (specify colour)	80	2	127-01	Reflector, Red
35	1	803-03	Floor Pan, Rear (specify colour)	81	4	103-48	T/S Pan HD Phil #10x5/8 A Zinc
36a	60	120-04	Washer .195IDx.50ODx.08 Zinc	82	1	104-11	Pin, Lynch
36b	2	120-05	Washer .195IDx.50ODx.04 Zinc	83	8	108-59	Lockwasher #10 Int. Tooth Zinc



Ref	Qty	Part No.	Description
1	1	806-00	Frame Asm - 8x8
2	2	605-69	Gasket - Bearing Extension
3	80	117-15	Nut, Fin Hex 3/8-16 Zinc
4	16	108-46	Washer .40x1.37x.12 Hi-Carbon
5	12	101-35	Bearing, Ball - 1.25
5a	8	101-41	Bearing, Ball - 1.0
6	82	108-06	Lockwasher 3/8
7	30	103-88	C/Bolt 3/8-16x1.0 Gr5 Zc
8	12	605-99	Gasket, Flange - Inner
9	14	605-89	Gasket, Flange - Outer
10a	18	605-63	Flange - 4 hole
10b	12	101-20	Flange, Greasable - 4 hole
11	8	102-14	Seal, Oil 1.25x1.75x0.188
12	8	102-15	Seal, Oil 1.25x1.874x0.25
13	8	605-97	Flange Asm, Outer (incl. Refs. 11 & 12)
14	24	112-39	C/Bolt 3/8-16x1.75 Gr5 Zc
15	8	103-67	C/Bolt 3/8-16 x 6 Gr2 Zc
16	2	810-36	Bearing Extension (uses Refs. 17 & 18)
17	12	108-34	Washer 7/16 SAE Zinc
18	12	103-81	HHCS 7/16-20x2.5 Gr5 Zc
19	5x8	103-80	Stud, Wheel 7/16-20x1.125 #B271
20	2	810-73	Axle Asm - Front/Rear (incl. Ref. 19)
21	6	810-75	Axle Asm - Mid (incl. Ref. 19)
22	2	810-45	Shaft, Idler - 11T
23	1	604-84	Frame Asm, Battery
24	6	810-28	Sprocket, Double - 24T
25	8	606-34	Sprocket, S60x19T
26	10	112-03	SHSS 5/16-18x3/8 1/2 DOG, PL
27	2	803-17	Chain, Idler RC50-2x40P (incl. Ref. 53)
28	4	117-64	Insert, 1/4-20
29	12	112-31	HHCS 3/8-16x1.0 2B Gr8 Zc
30	2	112-14	HHCS 3/8-16x.75 Gr5 Zc
31	1	108-15	Washer 3/8 SAE Zc
32	2	103-82	HHCS 3/8-16x1.5 Gr5 Zc
33	4	112-61	C/Bolt 3/8-16 x 1.25 Gr5 Zc
34	2	120-15	Rivet 1/8x7/16
35	1	126-11	Spring
43	2	603-17	Chain, RC50-2 x 42P-Front (incl. Ref. 53)
44	2	603-20	Chain, RC50-2 x 70P-Mid (incl. Ref. 53)
45	4	603-93	Chain, RC60-1 x 84P-Rear (incl. Ref. 54)
46	5x8	117-35	Nut, Wheel 7/16-20 Zc
47	8	125-26	Valve, Tire
48	8	125-13C	Rim, Charcoal
49	8	126-96	Tire, Goodyear Runamuk 22x10-8
52	6	100-01	Pin, Cotter 1/8x1.50 Zc
53	1x6	100-96	Con. Link, RC50-2 H.D.
54	1x4	603-84	Con. Link, RC60-1 H.D.
55	6	125-65	Spring Torsion - 1.16x0.35
56	6	606-39	Slider Block -1/2" Shaft
57	6	606-35	Tensioner Asm, Chain
58	6	127-64	Spring, Torsion - .76x1.9

8.0 Fuel System and Seat Assembly Response Parts Manual



8.0 Fuel System and Seat Assembly Response Parts Manual

Ref	Qty	Part No.	Description
1	1	803-50	Handrail Assembly
2	4	108-03	Lockwasher, Split Ring 1/4"
3	6	112-41	PHMS, PHIL 1/4-20x1.25 Zinc
4	1	608-39	Back Pad Assembly
5	1	608-43	Seat, Bench
6	1	608-30	Angle, Left
7	1	608-31	Angle, Right
9	6	112-04	HHCS 1/4-20x3/4 Gr2 Zinc
10	6	108-03	Lockwasher, Split Ring 1/4" Zinc
13	1	804-17	Frame Assembly, Seat
16	2	120-04	Washer .195IDx.50ODx.08 Zinc
17	1	608-32	Tool Box
18	1	608-28	Pickup Assembly, Fuel (see Ref. 19)
19	1	608-24	Tank, Fuel 32 litre (incl. Ref. 18)
20	2	112-79	Clamp, Hose, 1/2" - Black
21	1	608-42	Fuel Hose - 110"
23	2	100-12	Clamp, Gear 2.25" HF-36
24	1	125-94	Hose, Filler
25	1	126-47	Neck Assembly, Fuel
26	1	126-46	Cap, Fuel
27	1	127-21	Hose, Vent 86"
28	1	126-50	Male Connector, 1/4"
29	5	126-94	Clamp, Nylon Wire - 1/4" ID
30	4	112-04	HHCS 1/4-20 x 3/4 Gr2 Zinc
31	12	117-10	Locknut, Nylon #10-24 Zinc
33	4	126-93	Clamp, Nylon Wire - 1/2" ID
34	4	108-08	Washer, .28 x .62 x .04 Zinc
35	3	120-09	Rivet 3/16x1
36	5	120-13	Rivet, 3/16 x 5/8
37	4	702-06	Foam Cushion
38	1	117-54	Locking PAL Nut, 1/2-20 Zinc
39	12	112-07	RHMS 10-24 x 1.25 Zinc
40	12	108-42	Washer .062x7/32x1.00 Zinc
41	1	103-48	T/S PAN HD PHIL #10x5/8 A Zinc

